



impey

WETROOM DESIGN & INSPIRATION GUIDE | EDITION 5.2



“

The strength and continued success of Impey is testament to the dedication and vision of those before and present who cared enough to make a difference.

We continue to build a bathroom brand of world-class ambition and performance.

—

Steve Huntly
Managing Director

CONTENTS

1 THE IMPEY STORY

Manufacturing in the UK	08
The Impey brand journey	14

2 DESIGN & INNOVATION

Aqua-Dec EasyFit™ Award-winning design	18
Aqua-Dec Linear™ Floor former innovation New Linear drain designs	20 21
WaterGuard™ The ultimate waterproofing solution	22
Drainage innovation Universal and accessible components	24

3 WETROOM POSSIBILITIES

Urban chic	28
Functional simplicity	34
Utilitarian magic	40
Hygge haven	44
Rustic charm	48
Luxe living	52
Minimalist beauty	56
Eclectic loft	62

4 WETROOM SPECIFICATION

Wetroom reveal	68
How to design your wetroom	
1 Select your drainage solution	76
2 Select your look & size	
Floor former overview	78
Aqua-Dec Linear 2™	80
Aqua-Dec Linear 3™	82
Aqua-Dec Linear 4™	84
Aqua-Dec EasyFit™	86
3 Select your WaterGuard coverage	88
4 Personalise your wetroom	
Aqua-Mat™ underfloor heating	90
Soho® wetroom screens	92
Shower waste pumps	94
Accessories	96

5 IMPEY INFORMATION

Televised transformations	100
Coram Group	102
Contact & Partnerships	103

Our Guarantee to you

We are committed to developing and manufacturing to the highest levels of performance and design across our entire product range.

The result of our continuous improvement practices and the quality of the materials sourced across our wetroom systems allow us to offer a lifetime guarantee of performance.

For further details please refer to our website: www.impeyshowers.com or call the customer services team on 01460 256080.

This is modern showering.

Thank you
The team at Impey



1 THE IMPEY STORY

Manufacturing in the UK 08

The Impey brand journey 14



HAND FINISHING OF AQUA-DEC EASYFIT™



The UK's market-leading wetroom manufacturer

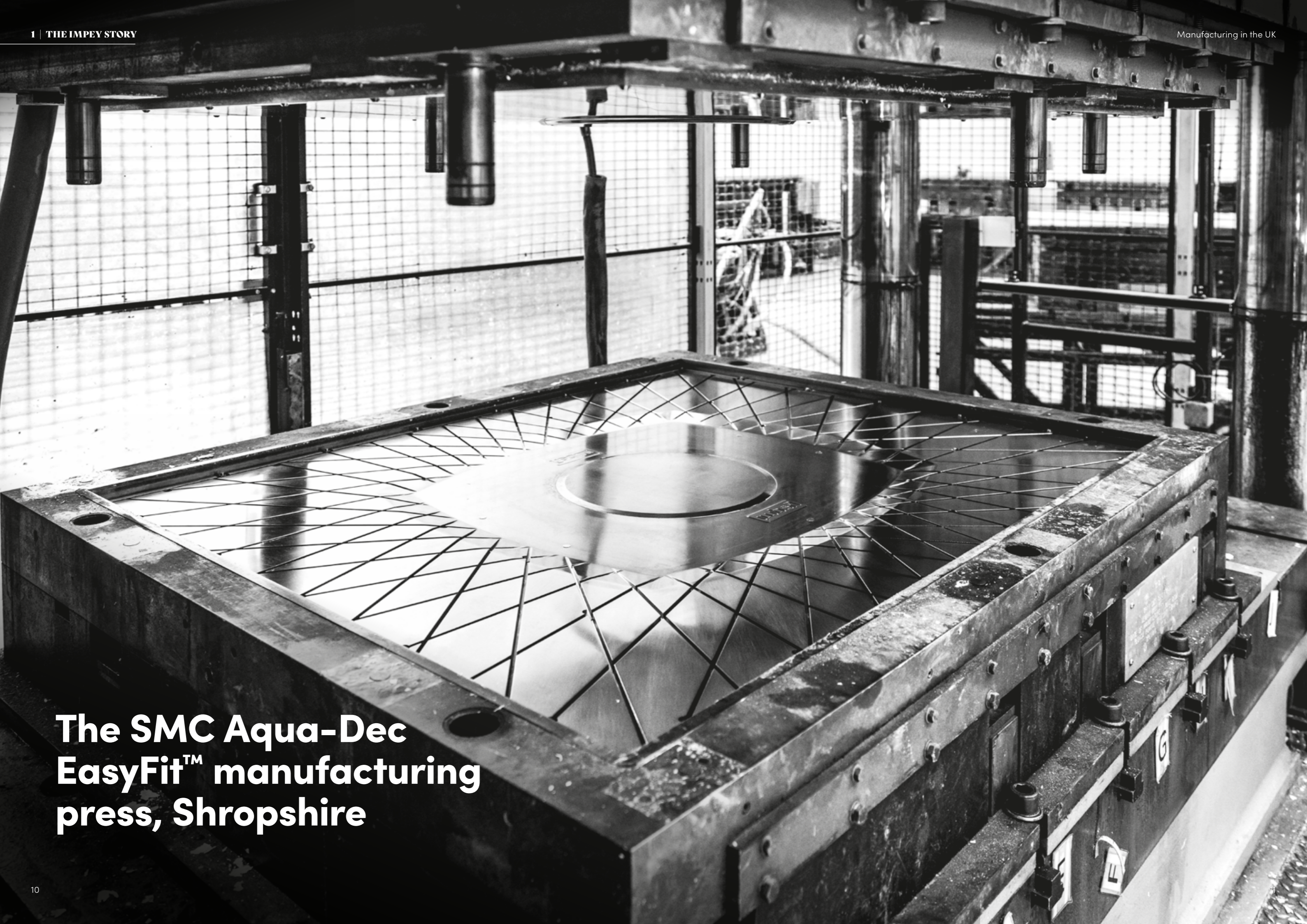
As a UK-based manufacturer, we are proud to employ a locally-based workforce at our manufacturing site in Bridgnorth, Shropshire, and our offices in Ilton, Somerset.

At the Bridgnorth factory, we integrate a variety of streamlined, modern manufacturing processes across the Impey product range to ensure all our products are of unparalleled quality and produced as efficiently as possible.

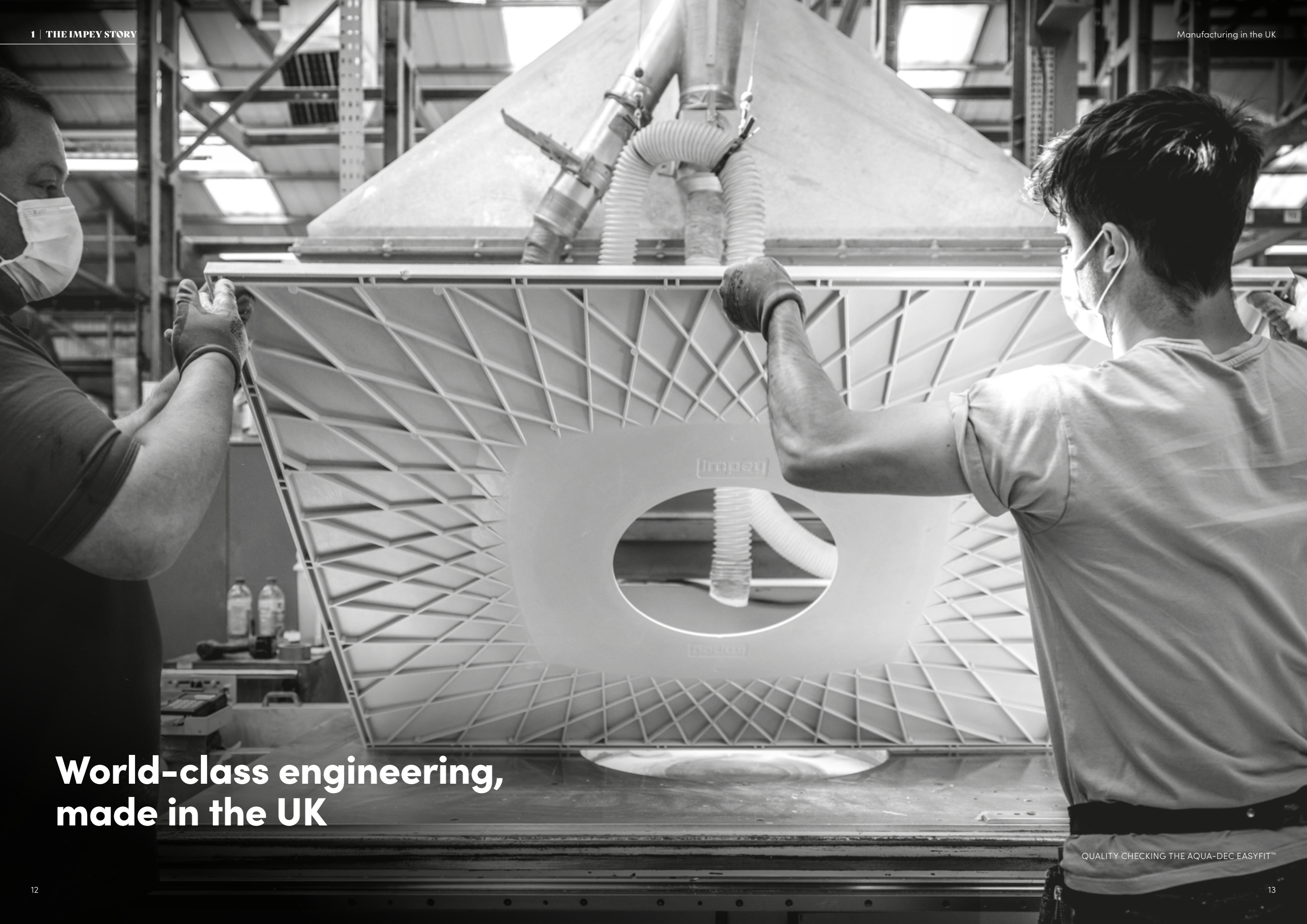
We have invested in a wide variety of modern manufacturing processes to enable us to deliver market-leading solutions, across a wide range of technologies.

All supported with our own design, engineering and continuous improvement teams. These drive the use of new materials, in-house tooling, processes and offerings, whilst ensuring compliance through our own CE testing facility.

APPLYING THE GEL COAT TO THE AQUA-DEC LINEAR 4



**The SMC Aqua-Dec
EasyFit™ manufacturing
press, Shropshire**



**World-class engineering,
made in the UK**

QUALITY CHECKING THE AQUA-DEC EASYFIT™

A BRAND BORN OF INNOVATION

Firmly established as the market-leader in the wetroom sector, Impey continues to lead the field when it comes to wetroom design, drainage technology and waterproofing.

1995

Founded by Bruce Grave - Impossibilities made possible, especially for you. 'Impey'. The original pioneers of level-access showering for vinyl floors.



Cutting the ribbon on the new HQ in Ilton, Somerset. The current UK Head Quarters.

2004

Development of the Aqua-Dec transforms the tiled-floor wetroom market.



Award Winning Innovation

A series of design and manufacturing awards follow for the Aqua-Dec. Impey becomes established as market leaders in wetroom technology.

2010

Impey becomes part of the Coram International bathroom group.

CORAM

2012

The Aqua-Dec EasyFit is launched, featuring the patented and iconic central rotating drain plate.



2013

Impey WaterGuard™ is introduced. A class-leading tanking membrane, revolutionising the waterproofing process for tilers and bathroom installers.



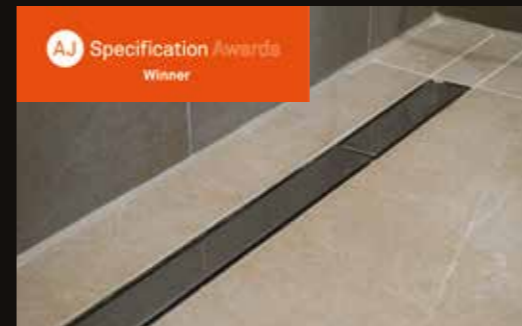
2014

Development is finalised of a universal set of drainage components across both standard and linear wetroom floor formers.



2019

Innovative bespoke linear drain design wins the bathroom category at the 'Architects Journal' Specification Awards.



The Aqua-Dec EasyFit wins 'Best Plumbing / Drainage Product' at Build-It Awards

2020



Development with Virtual Worlds to introduce a fully immersive Virtual Reality wetroom experience.

A new range of designer linear grates are introduced. Major milestones are reached and Impey is shortlisted as the UK's 'Best Shower Brand' in the 2020 BKU Awards.

500,000+

Impey wetrooms installed throughout the UK and Europe.

700,000+

square metres of waterproof tanking installed.

25 YEARS

UK's recognised market-leading wetroom manufacturer.

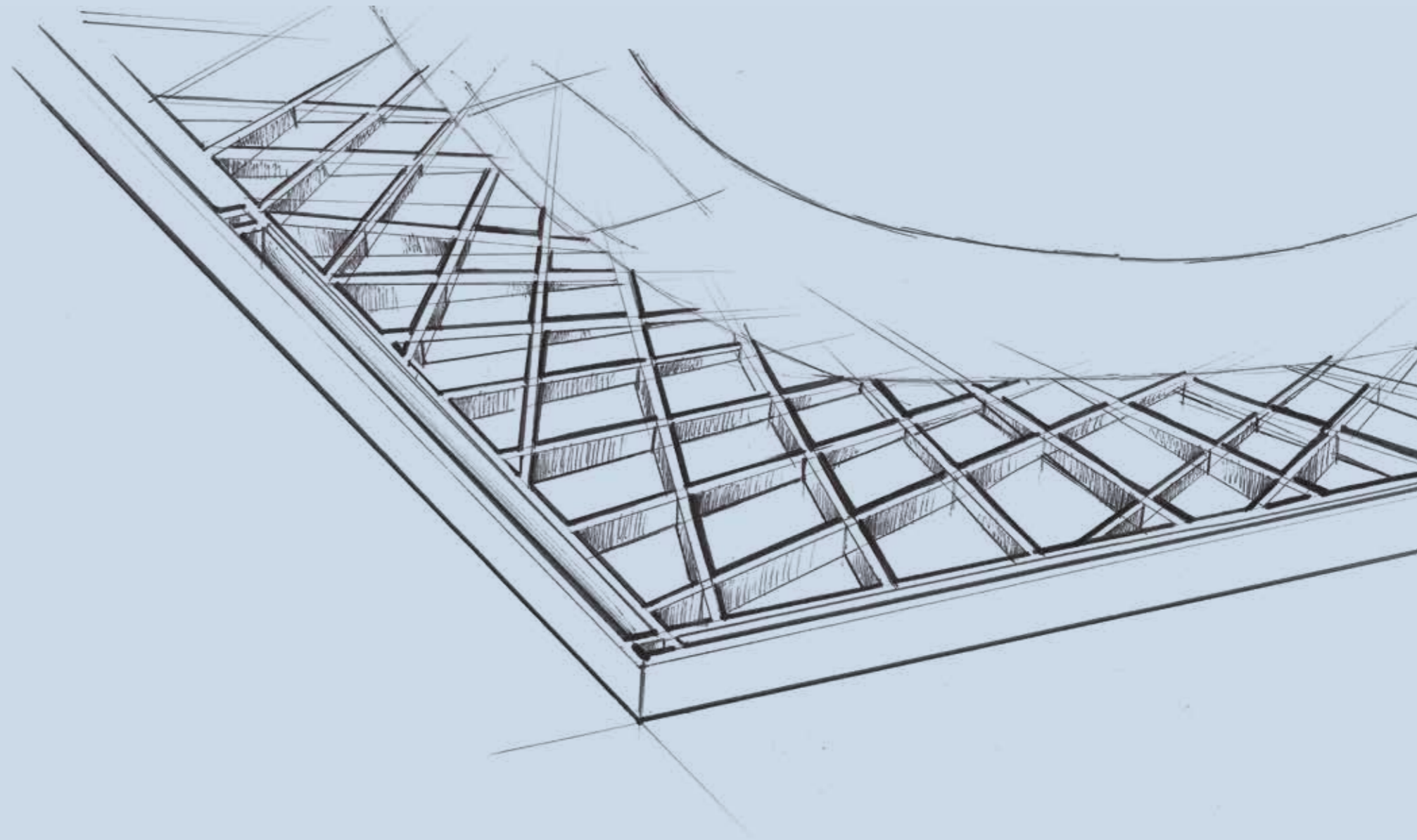
2 DESIGN & INNOVATION

Aqua-Dec EasyFit™
Award-winning design 18

Aqua-Dec Linear™
Floor former innovation 20
New Linear drain designs 21

WaterGuard™
The ultimate waterproofing solution 22

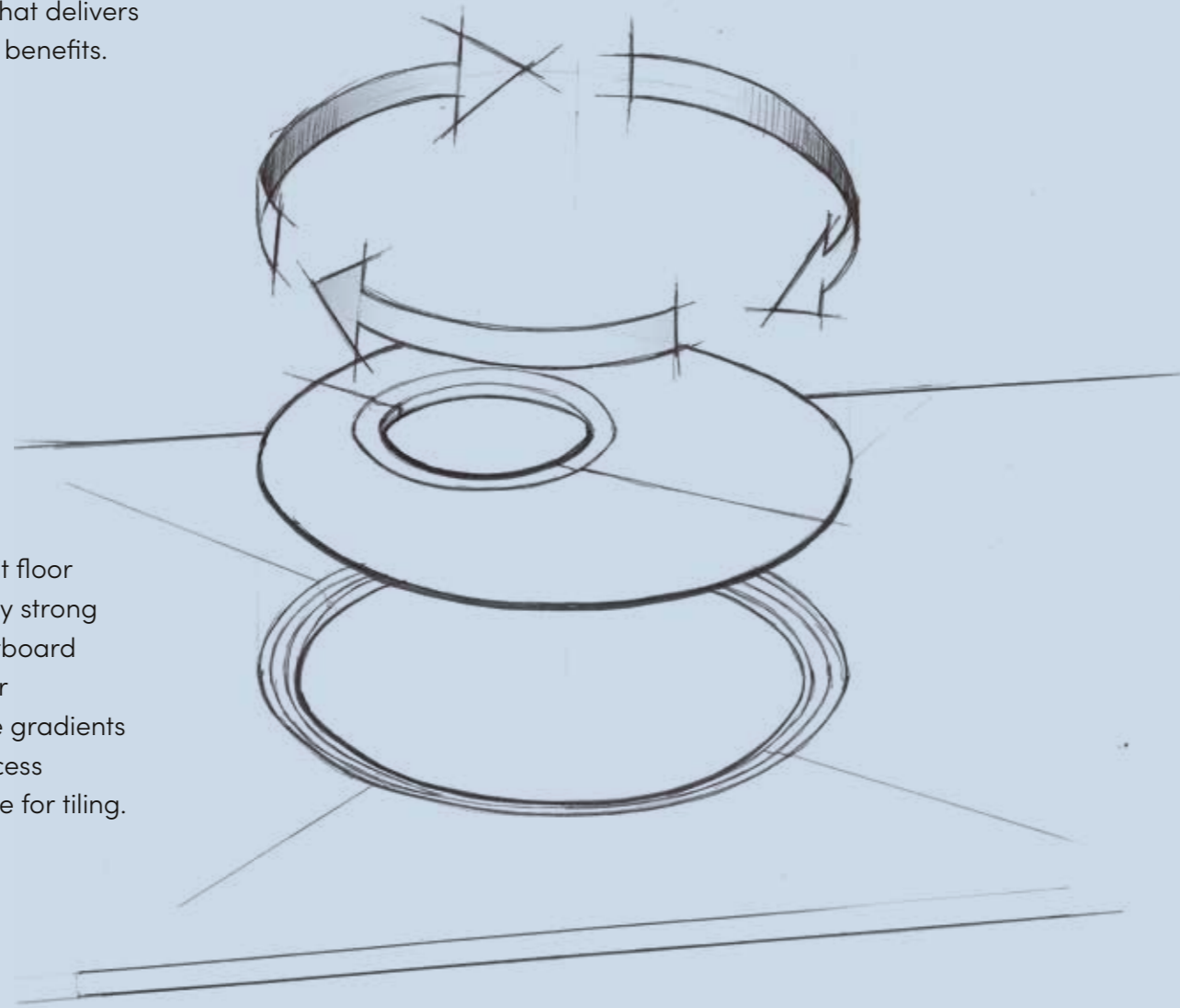
Drainage innovation
Universal and accessible components 24



AQUA-DEC EASYFIT™ AWARD-WINNING DESIGN

Winner of the 2019 Build-It Awards, the Aqua-Dec EasyFit features a large central 360° rotating drain plate to help circumnavigate all potential floor joists and under-floor obstructions.

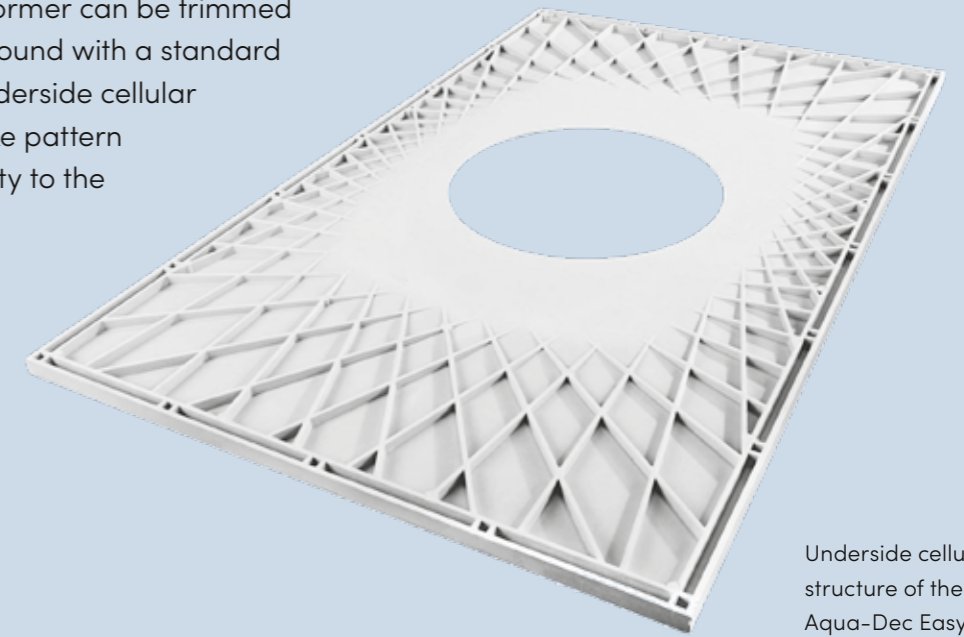
Patented innovation that delivers unrivalled installation benefits.



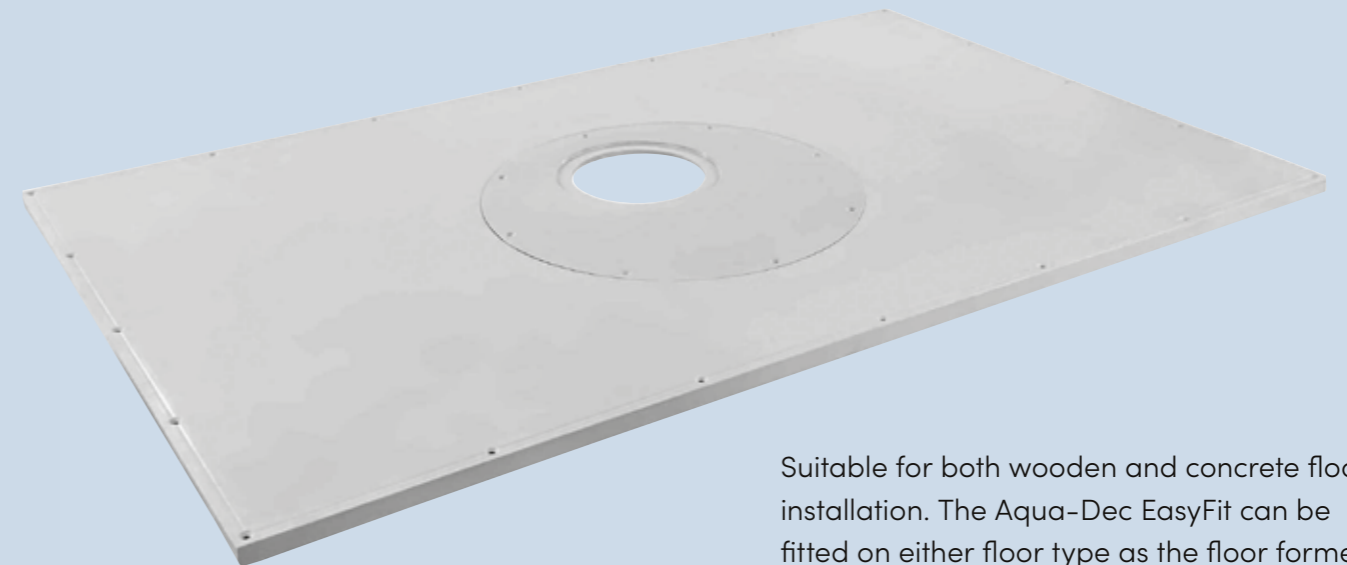
The Aqua-Dec EasyFit floor former is an extremely strong 22mm thick GRP floorboard replacement with four pre-formed drainage gradients to provide a level-access wetroom floor suitable for tiling.

The Aqua-Dec EasyFit floor former can be trimmed anywhere up to the solid surround with a standard handsaw and features an underside cellular structure. The underside spoke pattern also provides increased rigidity to the structure of the floor former.

Aqua-Dec EasyFit is available in a range of sizes from a compact 800mm square to the most spacious 1850 x 900mm option.



Underside cellular structure of the Aqua-Dec EasyFit



Suitable for both wooden and concrete floor installation. The Aqua-Dec EasyFit can be fitted on either floor type as the floor former is the same depth as most floorboards and the spoke structure provides the perfect surface to bond with wet concrete.

Aqua-Dec EasyFit and product design are trademarked. Aqua-Dec EasyFit remains the intellectual property of Impey.



The Aqua-Dec EasyFit is made in the UK



Lifetime WaterTight Guarantee
Install our WaterGuard™ system with any Aqua-Dec floor former and receive our Lifetime WaterTight Guarantee.

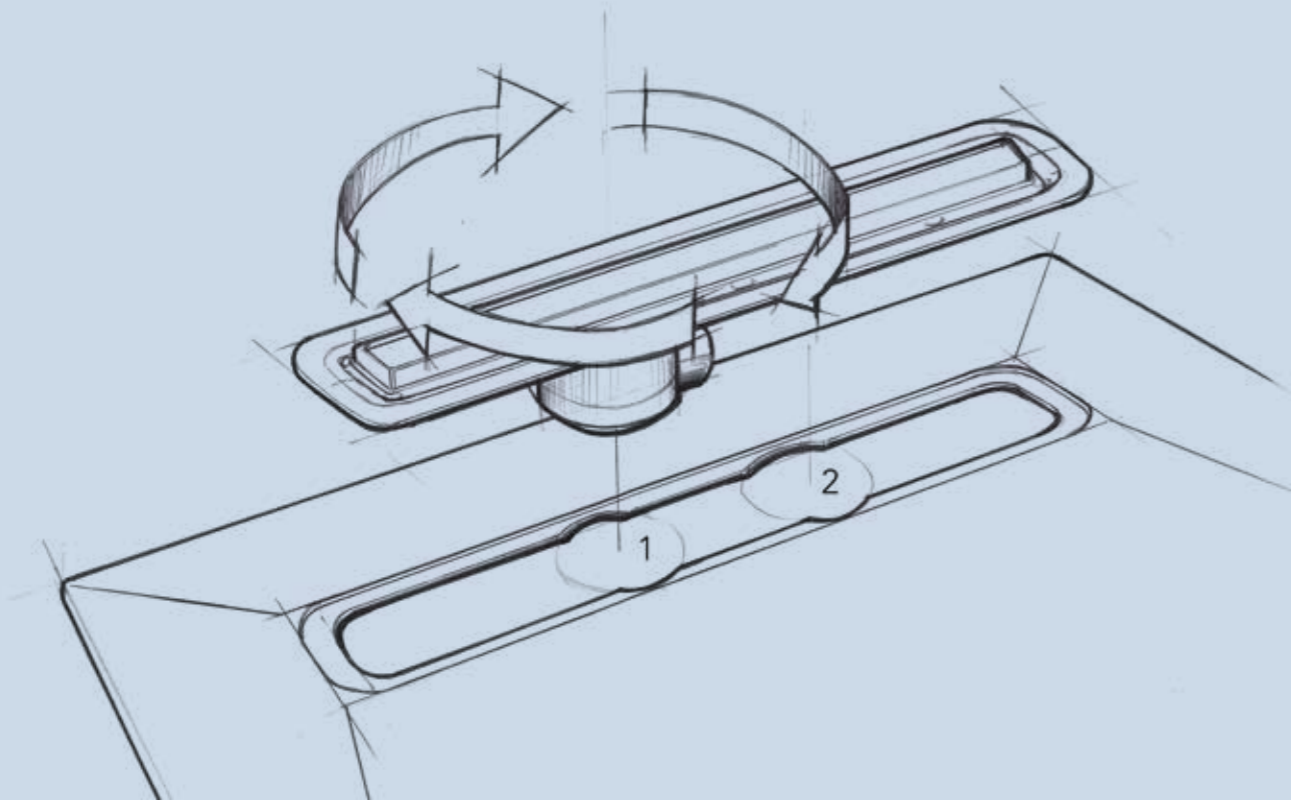


Build-It Awards 2019
Best Drainage or Plumbing Product

AQUA-DEC LINEAR™ FLOOR FORMER INNOVATION

Designed with choice in mind, the Aqua-Dec Linear floor former range helps to achieve the desired look of each unique wetroom, with three design variations and ranging in size from 900 x 900mm to 1800 x 900mm.

The Aqua-Dec Linear range features an elegant linear drain top in either a 600mm or 800mm length depending on the size of the floor former.



The drain outlet is offset allowing the drain to be rotated 180° at installation, the outlet is also fully rotatable allowing 360° waste positioning to avoid any potential obstacles such as joists and pipework.

The Aqua-Dec Linear range comes with a variety of drain top designs which are all interchangeable. All stainless steel design tops have an adjustable height between 6 - 26mm to suit different tile depths.



The Aqua-Dec Linear 2, 3 and 4 are made in the UK



Lifetime Watertight Guarantee
Install our WaterGuard™ system with any Aqua-Dec floor former and receive our Lifetime Watertight Guarantee.

NEW LINEAR DRAIN DESIGNS

All drain tops are manufactured in the UK and laser cut from the highest quality stainless steel specifically for Impey wetroom floor formers.

CONNECT



ECHO



MARRAKESH



MORSE

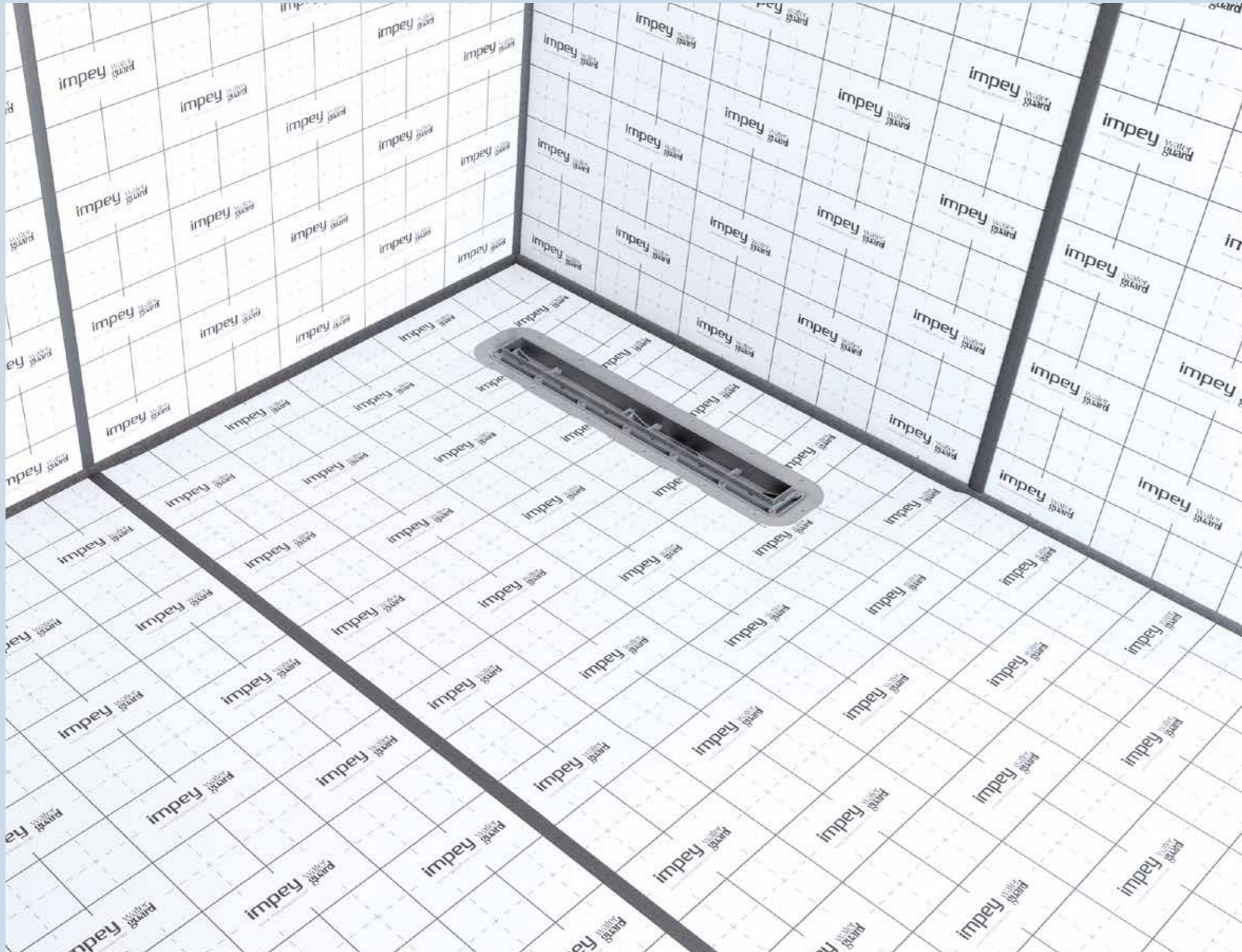


The range of designs and finishes add a touch of individual style to the wetroom. A combination of contemporary and modern patterns provides choice and the option to add a lustrous, high-end designer style to any bathroom.

Aqua-Dec and Linear product design are trademarked. Aqua-Dec remains the intellectual property of Impey.

WATERGUARD™

THE ULTIMATE TANKING SOLUTION



Protect your property with the complete waterproofing solution, for all types of wetroom spaces. The revolutionary design of WaterGuard provides a guaranteed watertight barrier on floors and walls.

WaterGuard is a 1mm thick, flexible waterproofing membrane. The complete wetroom sealing solution - not just for floors but also to walls. When correctly installed across the entirety of a wetroom floor, it provides an impenetrable barrier against leaks, guaranteed for life.

WaterGuard requires no curing time and can be tiled directly after laying, reducing installation time dramatically compared to other paint-on alternatives.

Designed as the complete solution, WaterGuard has been created to withstand temperatures of 60°C ensuring it is compatible with underfloor heating, such as Impey Aqua-Mat™.

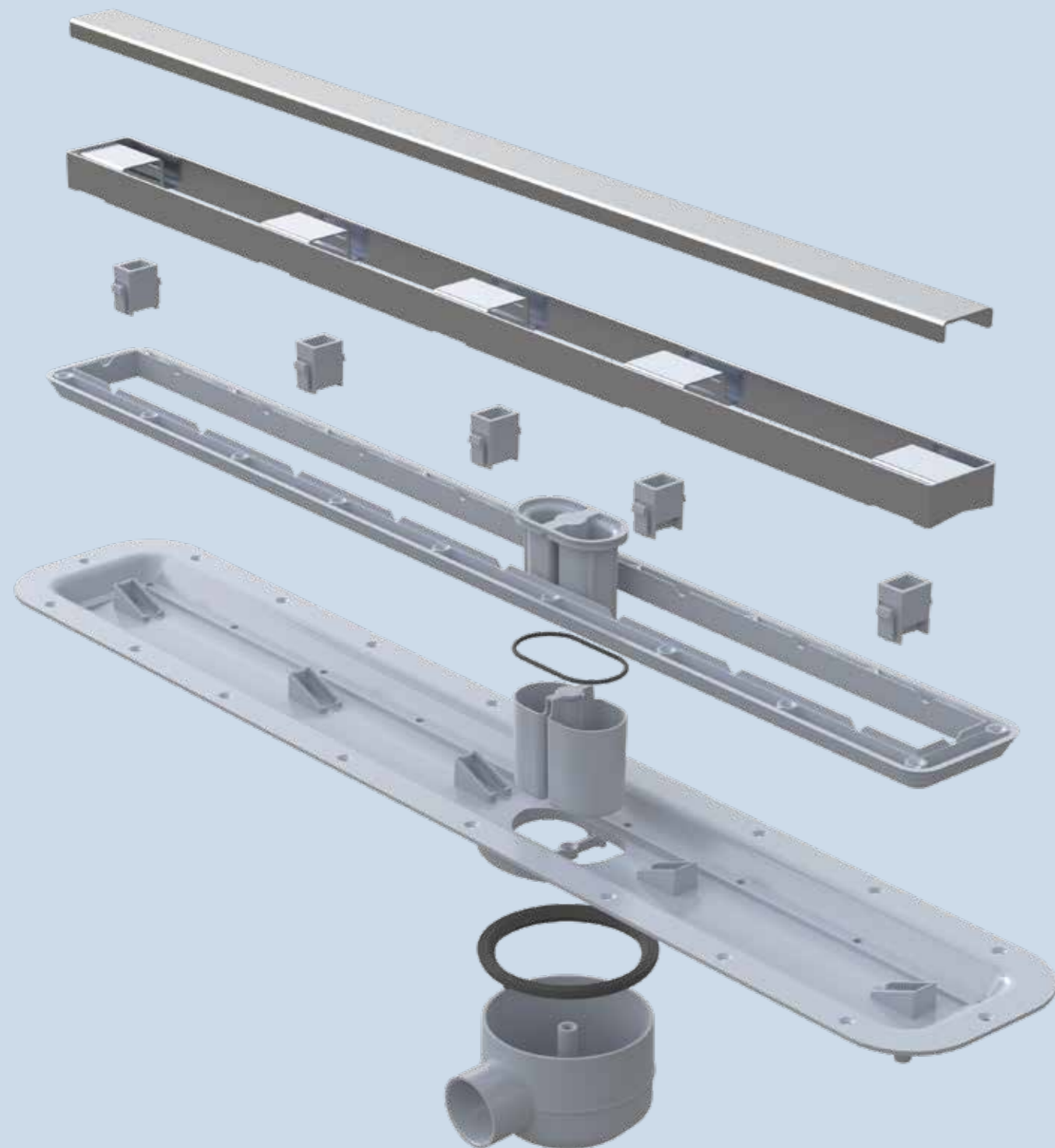


Lifetime Watertight Guarantee

We are committed to developing and manufacturing to the highest levels of performance and design across our entire product range.

Install our WaterGuard™ system with any Aqua-Dec floor former and receive our Lifetime Watertight Guarantee.

DRAINAGE INNOVATION UNIVERSAL AND ACCESSIBLE COMPONENTS



Investment and continual innovation by the in-house design teams over the last two decades has resulted in a range of high performance and aesthetically pleasing drainage systems with universal components that can be easily accessed for cleaning and maintenance.

All Aqua-Dec floor formers feature an advanced water-sealed overlay to omit any escaping drainage odours and are supplied with a unique easy-cleaning tool to remove any trapped hair, negating the need to clean with harsh chemicals.

The inbuilt membrane clamping ring secures the WaterGuard™ membrane into place creating a secure watertight seal at the drainage point.

Benefits of the universal drain

1. Adjustable tiling edges - accepts tiles from 6-26mm in thickness.
2. Shallow depth - requires less space under the floor.
3. Soil pipe connection - can be connected directly to a 110mm soil pipe socket with no extra parts needed.
4. Patented Impey design - allows for retro fitting and aesthetic upgrades.
5. 2-Part drain - can be fully water tested before floor former is secured down.



3 WETROOM POSSIBILITIES

Urban chic	28
Functional simplicity	34
Utilitarian magic	40
Hygge haven	44
Rustic charm	48
Luxe living	52
Minimalist beauty	56
Eclectic loft	62



'ECLECTIC LOFT' SEE PAGE 62 FOR MORE INFORMATION

URBAN CHIC

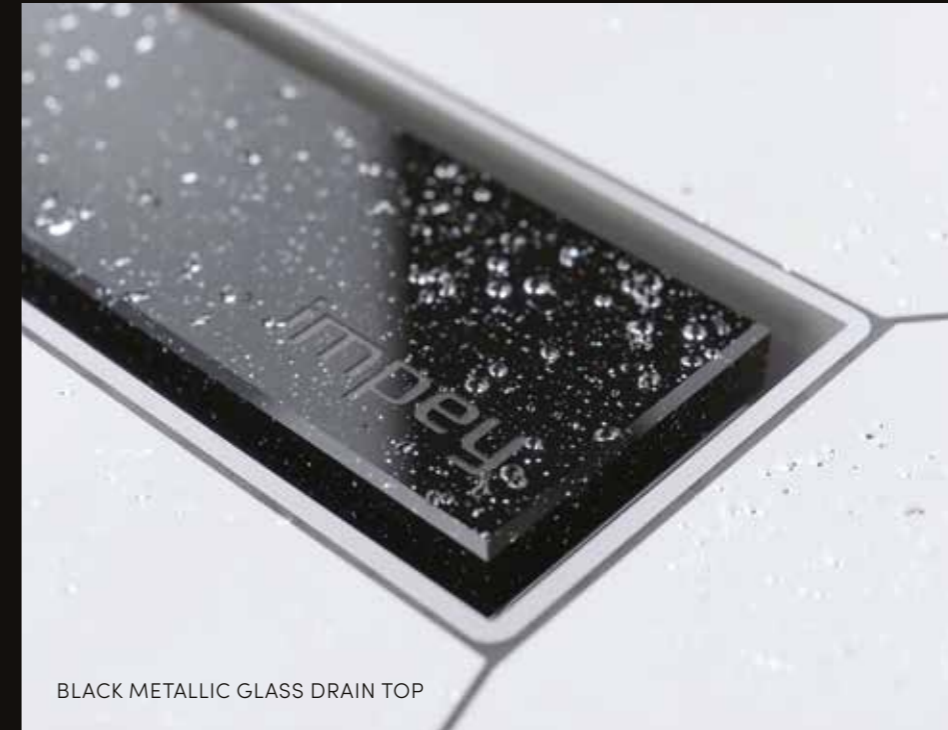
Open plan showering embraces minimalist design schemes and creates a feeling of space.



SOHO® WALK-IN 1000mm | AQUA-DEC LINEAR 4 1000 x 1000mm | BLACK METALLIC GLASS DRAIN TOP | GEESA NEMOX BLACK ACCESSORIES



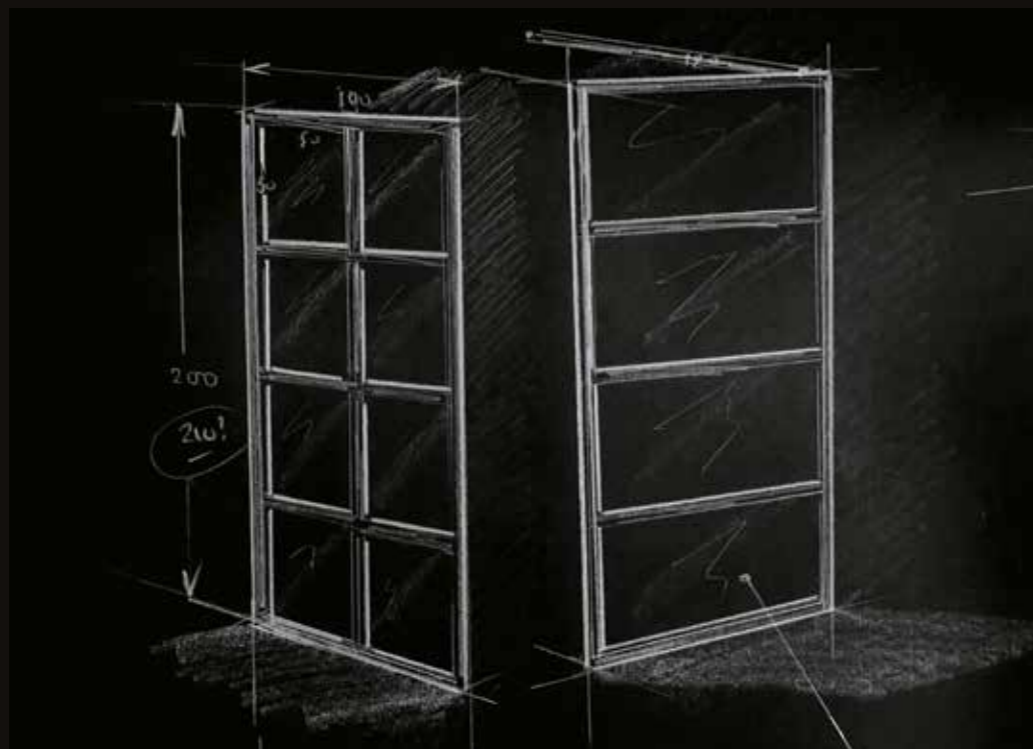
SOHO® WALK-IN 1000mm | STRAIGHT BRACING BAR



BLACK METALLIC GLASS DRAIN TOP

Clean, contemporary lines are enhanced by the Aqua-Dec Linear floor former. Coordinating drainage options are available in glass, steel or tiled to match your design scheme.

Enhance the modern look and feel of your wetroom with a contemporary black-framed panel from our Soho range; the perfect on-trend addition to an urban, industrial inspired, wetroom.



FUNCTIONAL SIMPLICITY

Modern and uncluttered, opt for an accessible showering space with natural detailing to create a light and airy showering environment.

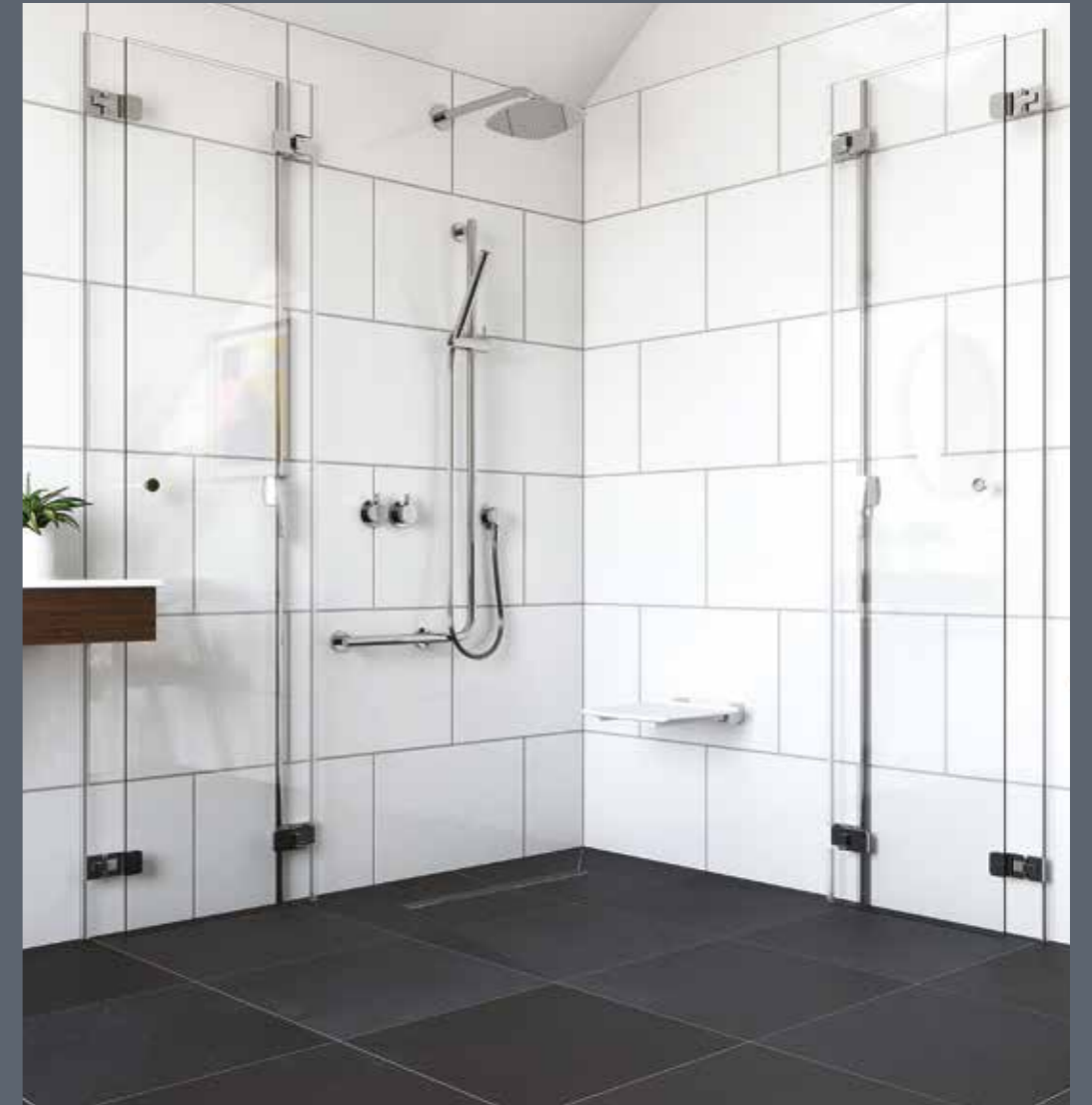


SEALSKIN DUKA PURA 5000 ENCLOSURE | AQUA-DEC LINEAR 4 1000 x 1000mm
POLISHED STAINLESS STEEL DRAIN TOP | GEESA COMFORT & SAFETY ACCESSORIES



AQUA-DEC LINEAR 4 1000 x 1000mm | POLISHED STAINLESS STEEL DRAIN TOP

With an eye for detail; functional features from hinges to drainage apertures, become elegant design highlights.



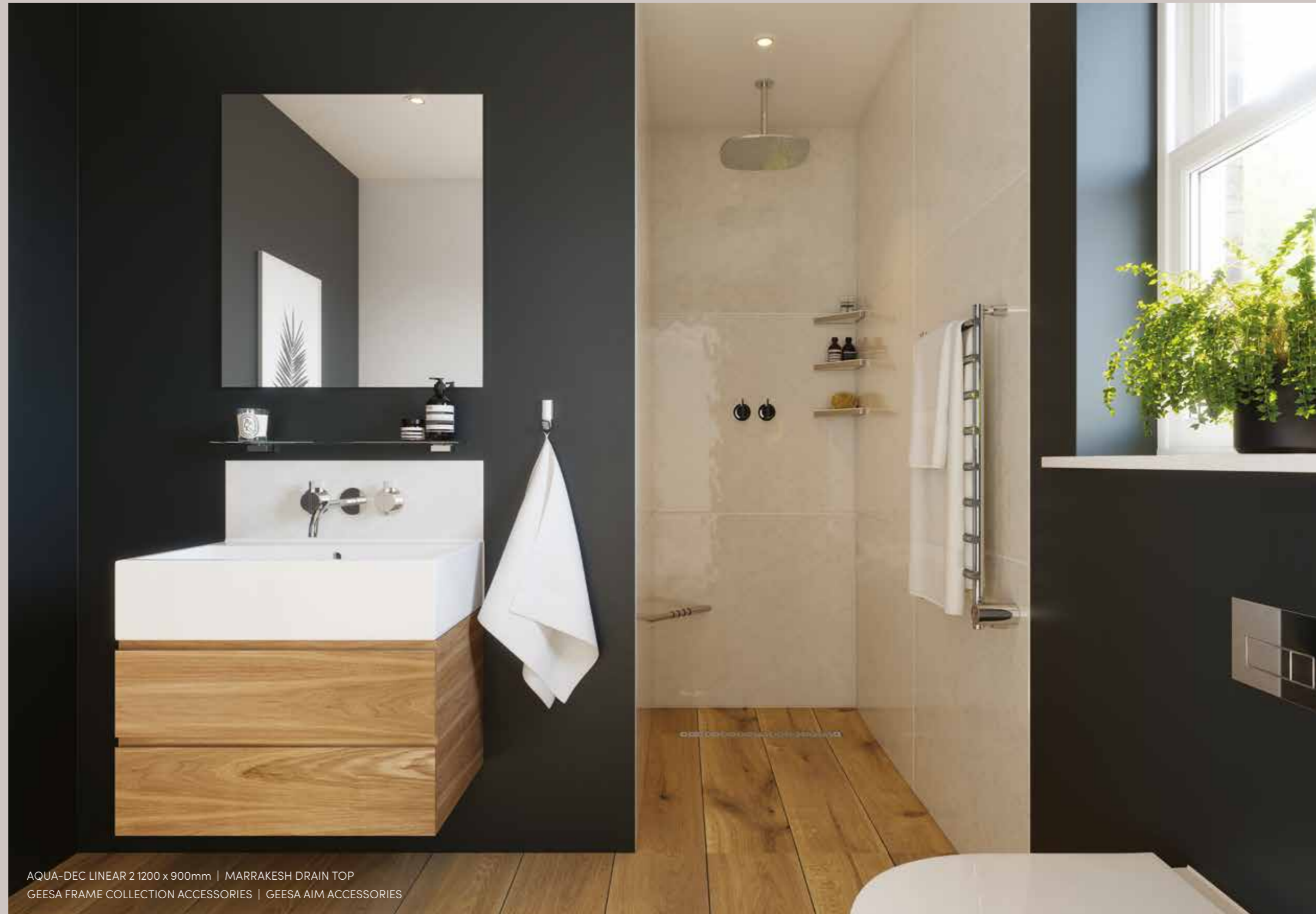


Offering improved accessibility, a level-access wetroom removes trip hazards and can easily incorporate stylish fixtures such as grab rails and wall-mounted shower seating.

POLISHED STAINLESS STEEL DRAIN TOP

UTILITARIAN MAGIC

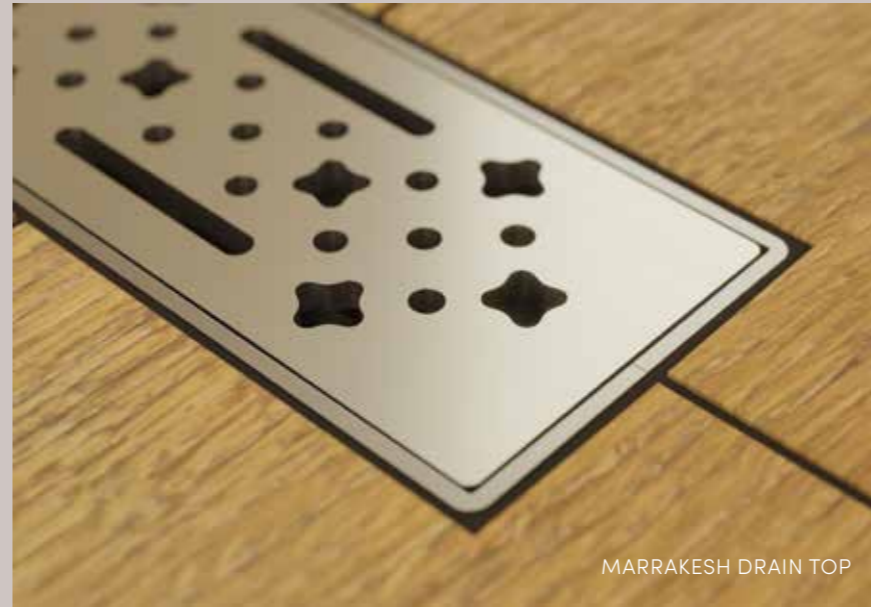
Simple and pared back, incorporating the most progressive wetroom product range available; an Impey wetroom can be personalised to create a clean, modern space.



AQUA-DEC LINEAR 2 1200 x 900mm | MARRAKESH DRAIN TOP
GEESA FRAME COLLECTION ACCESSORIES | GEESA AIM ACCESSORIES



AQUA-DEC LINEAR 2 1200 x 900mm | MARRAKESH DRAIN TOP



MARRAKESH DRAIN TOP

Enhance any wetroom interior by placing a contemporary drain design. Introducing a pattern into a room can add character and heighten an experience of a space.

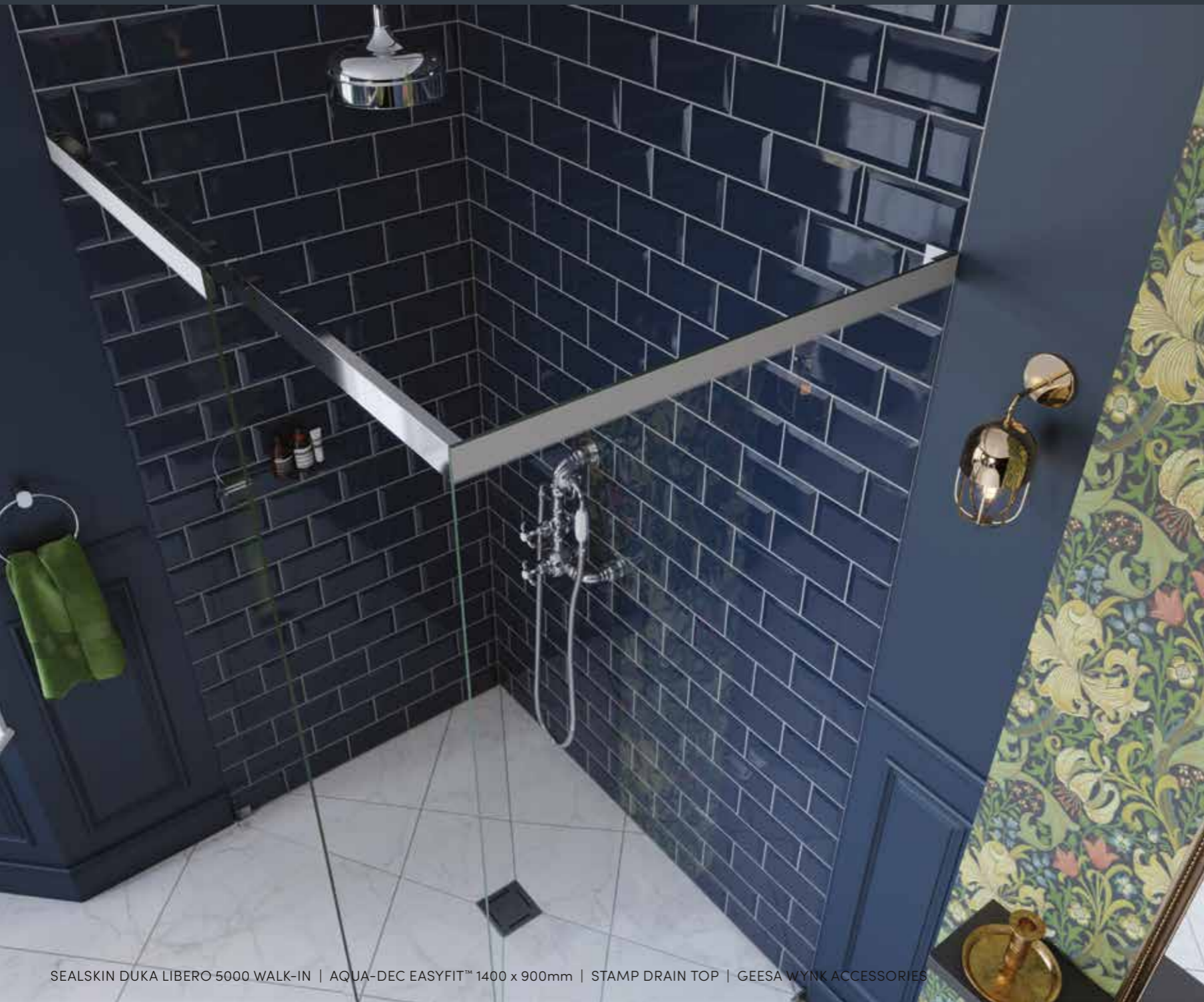


HYGGE HAVEN

A wetroom can be integrated into any space or style of home. Blend traditional features with precision engineered wetroom technology for an elegant take on modern showering.



SEALSKIN DUKA LIBERO 5000 WALK-IN | AQUA-DEC EASYFIT™ 1400 x 900mm | STAMP DRAIN TOP | GEESA WYNK ACCESSORIES



SEALSKIN DUKA LIBERO 5000 WALK-IN | AQUA-DEC EASYFIT™ 1400 x 900mm | STAMP DRAIN TOP | GEESA WYNK ACCESSORIES



STAMP DRAIN TOP



The award-winning Aqua-Dec EasyFit™ floor former incorporates four pre-formed drainage gradients with a choice of drain covers to coordinate with your style.

Combine stylish brassware and statement tiling to enhance period features in your wetroom space.



RUSTIC CHARM

Offering the ultimate in adaptability, a wet area is well suited to a boot room or utility space.



SLOT DRAIN TOP



Wash off walking boots or muddy dogs! A wet space in your utility room or downstairs bathroom has many benefits. A waste pump discreetly installed, makes light work of drainage when gravity is unavailable.



LUXE LIVING

Penthouse suite to modern mansion, the durability of an Impey wetroom offers showering solutions for every size of bathroom.



SEALSKIN DUKA ACQUA 5000 ENCLOSURE | AQUA-DEC LINEAR 3 1800 x 800mm
24mm TILED INSERT DRAIN TOP | GEESA NEMOX GOLD ACCESSORIES

The Aqua-Dec Linear 3 offers drainage placement line with the wall, for a 'barely there' appearance.



AQUA-DEC LINEAR 3 1800 x 600mm | 24mm TILED INSERT DRAIN TOP



Excellence is at the heart of the Impey brand. Each precision engineered product is designed and manufactured to last a lifetime.

MINIMALIST BEAUTY

A sleek and stylish minimalist wetroom can provide a welcome escape from the bustle of everyday life; ideal for relaxation and escapism.



SOHO® SLIDING DOOR 1200mm | AQUA-DEC LINEAR 3 1200 x 900mm | ECHO DRAIN TOP | GEESA NEMOX BLACK ACCESSORIES



AQUA-DEC LINEAR 3 1200 x 900mm | ECHO DRAIN TOP



Inspired by urban industrial designs, this contemporary look transforms any wetroom space with minimal effort.



Coordinating wall-mounted accessories add to the industrial design aesthetic and offer the ideal finishing touch to your modern wetroom space.





ECLECTIC LOFT

A wetroom offers the ideal showering solution for even the most unusual spaces including loft and attic conversions.



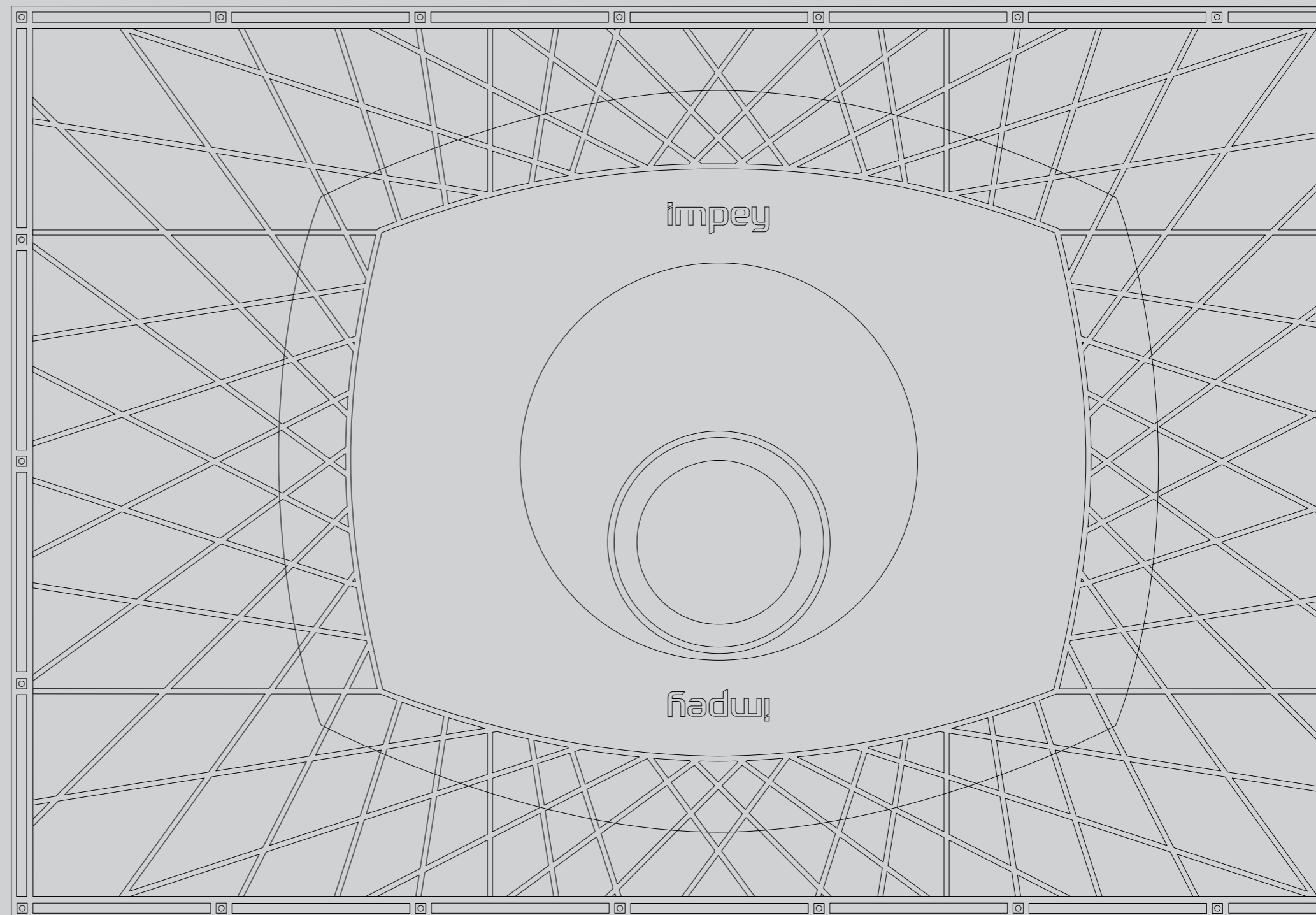
AQUA-DEC EASYFIT™ 1850 x 900mm | GRID DRAIN TOP



Make the most of the available floor area and utilise previously inaccessible spaces by converting those unused areas into the ultimate wetroom installation.

4 WETROOM SPECIFICATION

Wetroom reveal	68
How to design your wetroom	
1 Select your drainage solution	76
2 Select your look & size	
Floor former overview	78
Aqua-Dec Linear 2™	80
Aqua-Dec Linear 3™	82
Aqua-Dec Linear 4™	84
Aqua-Dec EasyFit™	86
3 Select your WaterGuard™ coverage	88
4 Personalise your wetroom	
Aqua-Mat™ underfloor heating	90
Soho® wetroom screens	92
Shower waste pumps	94
Accessories	96

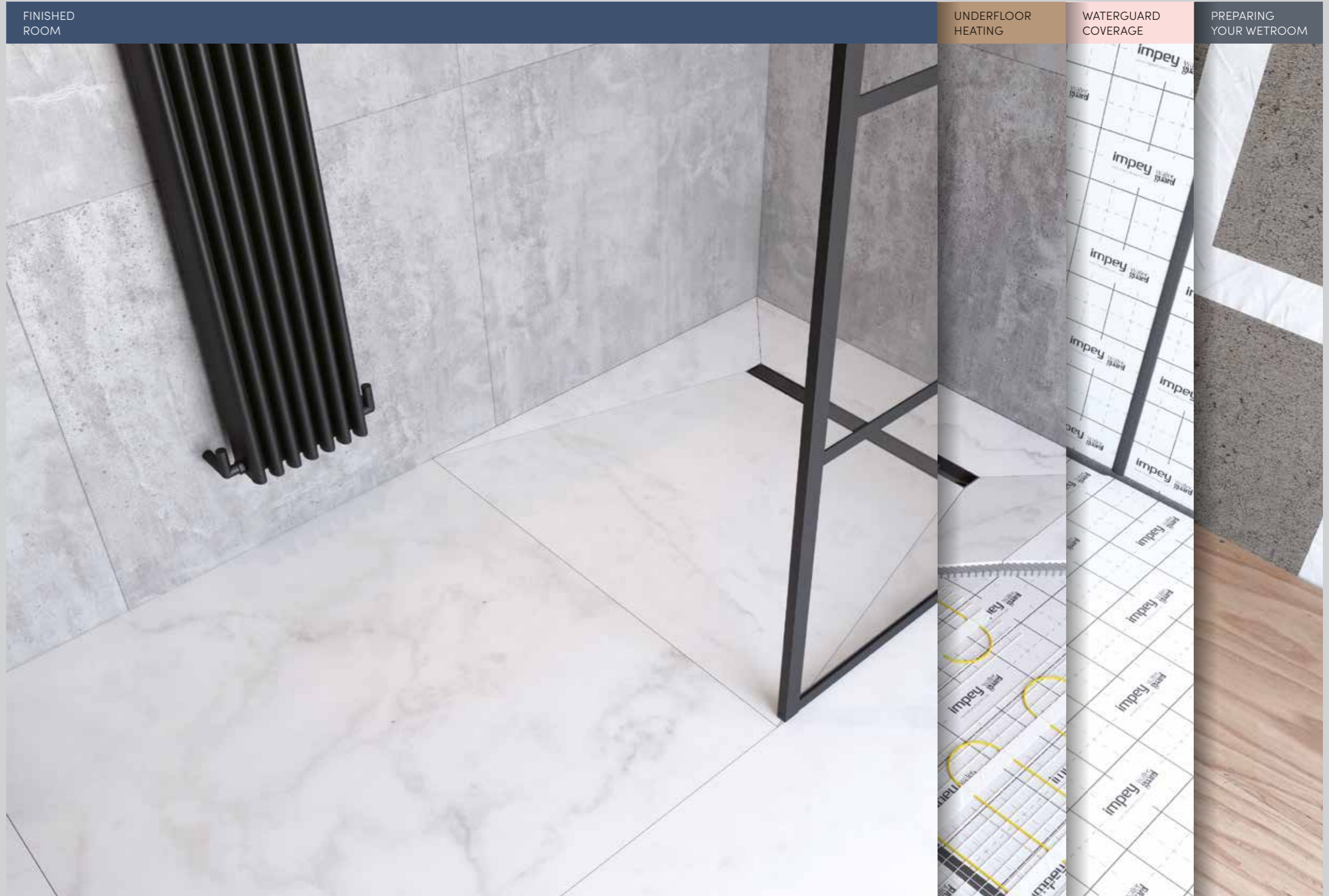


WETROOM REVEAL

Tiles, wetroom screens and accessories will complete the look of your new wetroom creating a truly accessible space for all age groups. A wetroom caters for all showering needs whilst dramatically reducing cleaning times and potentially adding value to a home.

**This is an Impey wetroom.
This is modern showering.**

SEE THE LAYER BELOW



WETROOM REVEAL

Stepping into a heated and comfortable wetroom, at just the right temperature and with the floor warm to the touch, makes the showering experience even more enjoyable.

Aqua-Mat underfloor heating across the entire floor and wet area creates the ideal floor tile temperature for showering all year round and is suitable for all types of floor, new concrete or wooden.

Modern underfloor heating can now be controlled remotely to ensure you can prepare a warm floor well in advance of use.

SEE THE LAYER BELOW



WETROOM REVEAL

SEE THE LAYER BELOW



Wetroom waterproofing or 'tanking' is a process which is designed to prevent water and humidity from penetrating a showering area or building.

Water damage can cause serious issues to a building's structure. By correctly waterproofing wetroom floors and walls you guarantee a leak-free showering area. The self-adhesive WaterGuard membrane is laid across the entire floor and can also be used on walls.

A chemical-free and modern solution, WaterGuard is the most advanced wetroom tanking system available.

Receive Impey's Lifetime Watertight Guarantee when WaterGuard™ is installed correctly alongside an Impey wetroom floor former.



WATERGUARD COVERAGE

PREPARING YOUR WETROOM

WETROOM REVEAL

All Impey wetroom floor formers are 22mm thick and can be placed directly onto timber joists or set into concrete floors and act as reinforced floorboard replacements.

All floor formers feature built-in gradients to channel water safely from all edges directly into the drain. With four types of floor former to choose from, including the Aqua-Dec EasyFit and the Linear range, you can achieve the perfect look and result for any situation.

Installed in line with supplied instructions, our range of wetroom formers easily support weights of 47 stone and are guaranteed for life.




1 | SELECT YOUR DRAINAGE SOLUTION

Drainage solutions for various wetroom spaces and scenarios are provided. In some situations, a certain drain type will be required due to the setting it is being placed in.

The three main drainage types are: Gravity drainage, Pumped drainage and Slim+ drainage.

All of these drains are suitable for both timber and concrete floors. All of the Gravity, Slim+ and Pumped Drains come with a choice of Drain Top designs and finishes which add a touch of individual style to the wetroom. These can be viewed on the 'Select your look & size' pages.

 Impey also supports other drain variants. Please contact our technical team or visit impeyshowers.com

Gravity Drain

The Gravity Drain is the most popular drain type to be used. Compatible with all Aqua-Dec floor formers within your existing floor structure or easily incorporated into a new build.

All drains have been specifically designed to secure WaterGuard membrane into place using a clamp, guaranteeing a secure watertight seal at the drainage point.

The patented height adjustment technology allows adaptability between 6-26mm to suit various tile depths.

The Gravity Drain for Aqua-Dec EasyFit has a flow rate of 36l/min. The Gravity Drain for Aqua-Dec Linear range is 40l/min, minimum.

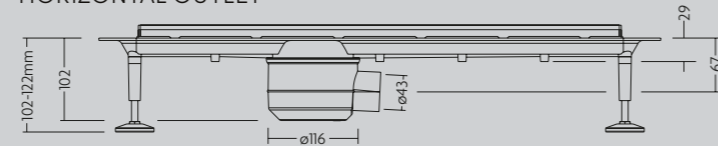
Included with this drain option is a specially designed hook, allowing the grate to be removed for easy cleaning. The drain also features a removable bucket.

The Gravity Drain has been designed to include a 50mm water seal to prevent odours escaping from the drainage system and feature a 43mm solvent weld pipe connection.

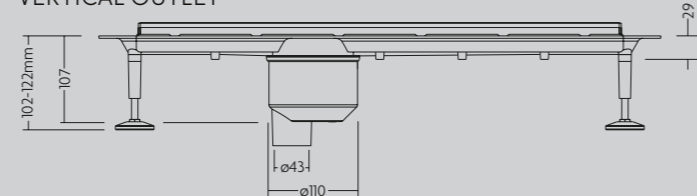
GRAVITY DRAIN IS COMPATIBLE WITH:		
✓	Aqua-Dec Linear 2"	SEE PAGE 80
✓	Aqua-Dec Linear 3"	SEE PAGE 82
✓	Aqua-Dec Linear 4"	SEE PAGE 84
✓	Aqua-Dec EasyFit™	SEE PAGE 86

GRAVITY DRAIN FOR AQUA-DEC LINEAR 2, 3 AND 4

HORIZONTAL OUTLET

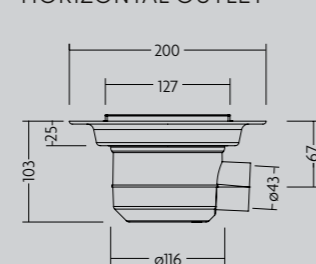


VERTICAL OUTLET

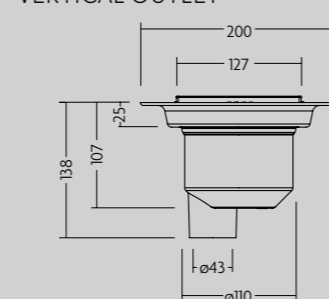


GRAVITY DRAIN FOR AQUA-DEC EASYFIT

HORIZONTAL OUTLET



VERTICAL OUTLET



Top edge of Aqua-Dec to underside of horizontal drain is 117mm

Slim+ Drain

The Slim+ Drain is designed for when the floor structure below is restricted in depth.

All drains have been specifically designed to secure WaterGuard membrane into place using a clamp, guaranteeing a secure watertight seal at the drainage point.

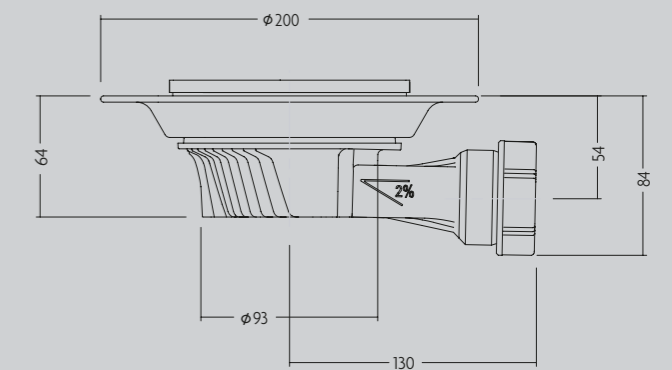
The height adjustable rings rotate to vary the drain top height to suit different tile depths. This unique feature means the drain can be used with varying tile depths between 6-26mm depending on the waterproof membrane and adhesive thickness.

The Slim+ Drain has a potential flow rate of up to 32 l/min.

Included with this drain option is a specially designed hook, allowing the grate to be removed for easy cleaning. The design also includes a hair trap which is easy to remove and clean without affecting the membrane.

SLIM+ DRAIN IS COMPATIBLE WITH:		
✓	Aqua-Dec EasyFit™	SEE PAGE 86

SLIM+ DRAIN FOR AQUA-DEC EASYFIT



Pumped Drain

The Pumped Drain is the ideal solution for unbreachable floors as it evades any limitations that a floor structure may bring.

All drains have been specifically designed to secure WaterGuard membrane into place using a clamp, guaranteeing a secure watertight seal at the drainage point.

The height adjustable rings rotate to vary the drain top height to suit different tile depths. This unique feature means the drain can be used with varying tile depths between 6-26mm depending on the waterproof membrane and adhesive thickness.

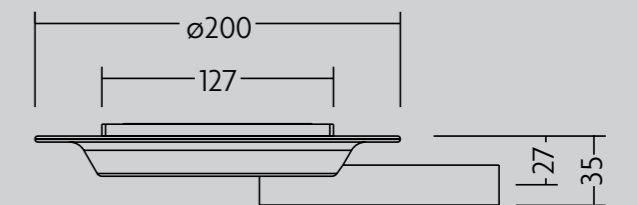
The Pumped Drain must be used with a shower waste pump to discharge showering water in areas gravity drainage is not an option, and is fully compatible with Whale pumps.

The Pumped Drain flow rate is dependent on your chosen shower waste pump; 12l/min (Instant Match Premium) and 20l/min (Dry Deck 20).

Included with this drain option is a specially designed hook, allowing the grate to be removed for easy cleaning.

PUMPED DRAIN IS COMPATIBLE WITH:		
✓	Aqua-Dec EasyFit™	SEE PAGE 86

PUMPED DRAIN FOR AQUA-DEC EASYFIT

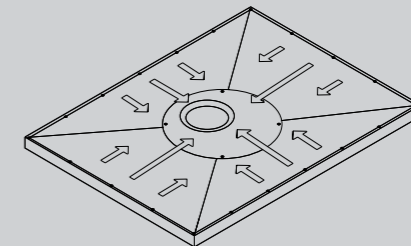
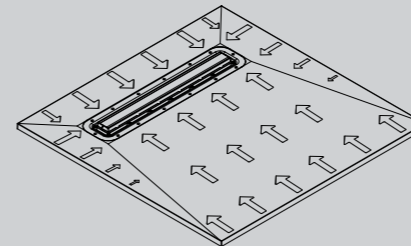
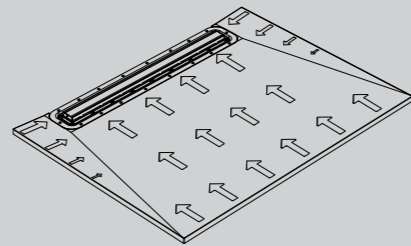
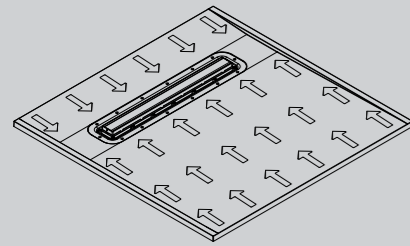


FLOOR FORMER OVERVIEW



Complete the system with WaterGuard™ to receive our Lifetime Watertight Guarantee. See page 88

	800x800mm	900x900mm	1000x1000mm	1200x750mm	1200x900mm	1200x1200mm	1300x800mm		1400x900mm	1500x800mm	1500x900mm	1500x1200mm	1600x900mm	1700x750mm	1800x800mm	1800x900mm	1850x900mm
Aqua-Dec Linear 2™		✓	✓		✓												
Aqua-Dec Linear 3™					✓					✓	✓				✓	✓	
Aqua-Dec Linear 4™		✓	✓		✓	✓			✓				✓				
Aqua-Dec EasyFit™	✓	✓	✓	✓	✓	✓	✓		✓	✓		✓		✓			✓



Aqua-Dec Linear 2™	Aqua-Dec Linear 3™	Aqua-Dec Linear 4™	Aqua-Dec EasyFit™
2 gradients leading to the drain	3 gradients leading to the drain	4 gradients leading to the drain	4 gradients leading to the drain
No diagonal tile cuts	2 diagonal tile cuts	4 diagonal tile cuts	4 diagonal tile cuts
600mm linear drain top	800mm linear drain top	600 or 800mm linear drain tops	127mm square drain
Ideal for alcove installations	Ideal for walk-through installations	The most versatile Linear option, compatible with walk-through, walk-in, corner and alcove spaces	The most versatile floor former, suited to all showering situations
Linear drain 250mm from the wall	Linear drain 40mm from the wall	Linear drain 190mm from the wall	360° drain positioning
3 sizes available	5 sizes available	6 sizes available	12 sizes available
Not trimmable	Trimmable. Please note, 1200 x 900 is not trimmable	Not trimmable	Trimmable

2 | SELECT YOUR LOOK & SIZE AQUA-DEC LINEAR 2™



AS SEEN ON PAGE 40



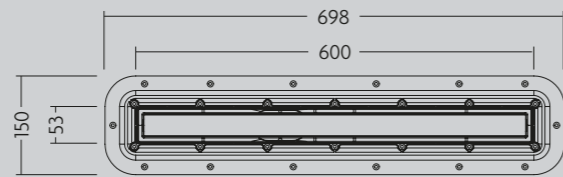
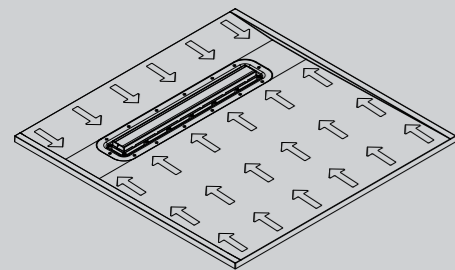
Complete the system with WaterGuard™ to receive our Lifetime Watertight Guarantee. See page 88

The construction of the Aqua-Dec Linear 2 wetroom floor former means there is no need to mitre the tiles in the corners. High-quality stainless steel inserts are supplied to finish the tile edges, which can be either flush to a wall or covered with a wetroom glass panel. The Aqua-Dec Linear 2 is 22mm thick and can be installed on timber or concrete floors, providing flow rates of 40l/min.

The Aqua-Dec Linear 2 is supplied with a gravity waste.

A range of drain top designs are also available.

Aqua-Dec Linear 2



SELECT YOUR AQUA-DEC LINEAR 2 SIZE

	900 x 900mm	1000 x 1000mm	1200 x 900mm
GRAVITY	AD2L9090G/ H or V*	AD2L1010G/ H or V*	AD2L1290G/ H or V*
	£786.89 exc VAT	£814.74 exc VAT	£828.66 exc VAT
	£944.27 inc VAT	£977.69 inc VAT	£994.39 inc VAT

*Horizontal or Vertical outlet

SELECT YOUR DRAIN INSERT OR YOUR DRAIN TOP DESIGN

600MM DRAIN INSERT DESIGNS

Black Metallic Glass*	Polished Stainless Steel*
LNR60/GMB	LNR60/SPSS
£135.63 exc VAT	£168.18 exc VAT
£162.76 inc VAT	£201.82 inc VAT

Tiled Insert (13mm)*	Tiled Insert (24mm)**
LNR60/T13	LNR60/T24
£43.40 exc VAT	£75.95 exc VAT
£52.08 inc VAT	£91.14 inc VAT

* 13mm fixed height from the Aqua-Dec Linear 2 to the top of the tiling frame.

** 24mm fixed height from the Aqua-Dec Linear 2 to the top of the tiling frame.

600MM DRAIN TOP OPTIONS

Element	Connect
LNR60/SBSS	LNR60/CONBSS
£0.00 exc VAT	£107.42 exc VAT
£0.00 inc VAT	£128.90 inc VAT
Echo	Morse
LNR60/ECHBSS	LNR60/MORBSS
£106.33 exc VAT	£128.03 exc VAT
£127.60 inc VAT	£153.64 inc VAT

Marrakesh
LNR60/MARRBSS
£132.37 exc VAT
£158.84 inc VAT

Technical guides are available to download from our website.

2 | SELECT YOUR LOOK & SIZE AQUA-DEC LINEAR 3™



Complete the system with WaterGuard™ to receive our Lifetime Watertight Guarantee. See page 88

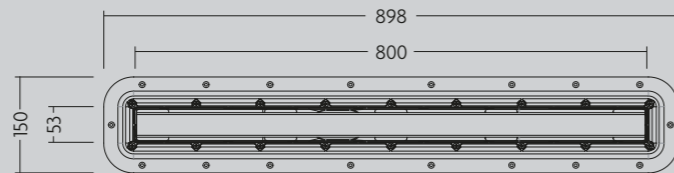
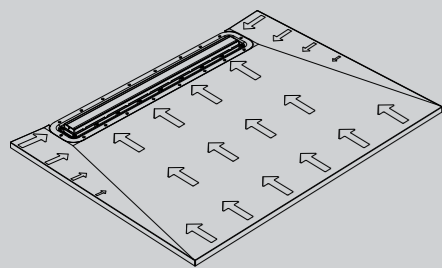
Unlike the Aqua-Dec Linear 2 and 4, the Aqua-Dec Linear 3 can be cut to length within 75mm each side of the drain edge to assist with alcove spaces. Ideal for a minimal 'barely there' look with a compatible walk-through screen. The Aqua-Dec Linear 3 is 22mm thick and can be installed on timber or concrete floors, providing flow rates of 40l/min.

The Aqua-Dec Linear 3 is supplied with a gravity waste.

A range of Drain Top designs are also available.

AS SEEN ON PAGE 52

Aqua-Dec Linear 3



SELECT YOUR AQUA-DEC LINEAR 3 SIZE

	1200 x 900mm	1500 x 800mm	1500 x 900mm	1800 x 800mm	1800 x 900mm
GRAVITY	AD3L1290G/ H or V*	AD3L1580G/ H or V*	AD3L1590G/ H or V*	AD3L1880G/ H or V*	AD3L1890G/ H or V*
	£866.20 exc VAT	£930.11 exc VAT	£940.45 exc VAT	£1029.29 exc VAT	£1053.05 exc VAT
	£1039.44 inc VAT	£1116.13 inc VAT	£1128.54 inc VAT	£1235.15 inc VAT	£1263.66 inc VAT

*Horizontal or Vertical outlet

SELECT YOUR DRAIN INSERT OR YOUR DRAIN TOP DESIGN

800MM DRAIN INSERT DESIGNS

Black Metallic Glass*	Polished Stainless Steel*
LNR80/GMB	LNR80/SPSS
£148.65 exc VAT	£189.88 exc VAT
£178.38 inc VAT	£227.86 inc VAT

800MM DRAIN TOP OPTIONS

Element	Connect
LNR80/SBSS	LNR80/CONBSS
£0.00 exc VAT	£130.20 exc VAT
£0.00 inc VAT	£156.24 inc VAT
Echo	Morse
LNR80/ECHBSS	LNR80/MORBSS
£128.03 exc VAT	£149.73 exc VAT
£153.64 inc VAT	£179.68 inc VAT

Tiled Insert (13mm)*	Tiled Insert (24mm)**
LNR80/T13	LNR80/T24
£52.08 exc VAT	£95.48 exc VAT
£62.50 inc VAT	£114.58 inc VAT

* 13mm fixed height from the Aqua-Dec Linear 3 to the top of the tiling frame.
** 24mm fixed height from the Aqua-Dec Linear 3 to the top of the tiling frame.

Marrakesh
LNR80/MARRBSS
£162.75 exc VAT
£195.30 inc VAT

Technical guides are available to download from our website.

2 | SELECT YOUR LOOK & SIZE AQUA-DEC LINEAR 4™



AS SEEN ON PAGE 34



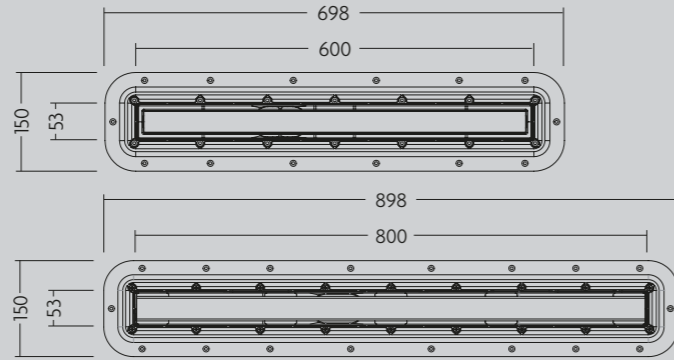
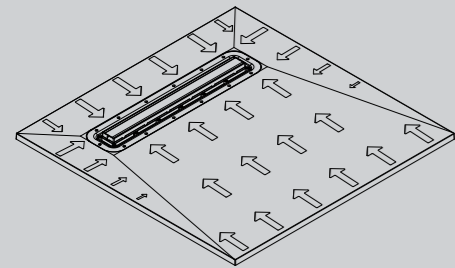
Complete the system with WaterGuard™ to receive our Lifetime Watertight Guarantee. See page 88

The style of the floor former, with 4 gradients leading down to the drain, draws your eye to the Linear Drain Top and provides a real statement. The broad range of sizes, 2 drainage widths of 600mm and 800mm and balanced design makes this the most versatile Linear floor former. The Aqua-Dec Linear 4 is 22mm thick and can be installed on timber or concrete floors, providing flow rates of 40l/min.

The Aqua-Dec Linear 4 is supplied with a gravity waste.

A range of Drain Top designs are also available.

Aqua-Dec Linear 4



SELECT YOUR AQUA-DEC LINEAR 4 SIZE

	900 x 900mm	1000 x 1000mm	1200 x 900mm	1200 x 1200mm	1400 x 900mm	1600 x 900mm
	600mm drain	600mm drain	800mm drain	800mm drain	800mm drain	800mm drain
GRAVITY	AD4L9090G/ H or V*	AD4L1010G/ H or V*	AD4L1290G/ H or V*	AD4L1212G/ H or V*	AD4L1490G/ H or V*	AD4L1690G/ H or V*
	£761.03 exc VAT	£786.89 exc VAT	£814.74 exc VAT	£849.55 exc VAT	£841.45 exc VAT	£853.83 exc VAT
	£913.24 inc VAT	£944.27 inc VAT	£977.69 inc VAT	£1019.46 inc VAT	£1009.74 inc VAT	£1024.60 inc VAT

*Horizontal or Vertical outlet

SELECT YOUR DRAIN INSERT OR YOUR DRAIN TOP DESIGN

600/800MM DRAIN INSERT DESIGNS

Black Metallic Glass*	Polished Stainless Steel*
600mm: LNR60/GMB	600mm: LNR60/SPSS
£135.63 exc VAT	£168.18 exc VAT
£162.76 inc VAT	£201.82 inc VAT
800mm: LNR80/GMB	800mm: LNR80/SPSS
£148.65 exc VAT	£189.88 exc VAT
£178.38 inc VAT	£227.86 inc VAT

600/800MM DRAIN TOP OPTIONS

Element	Connect
600mm: LNR60/SBSS	600mm: LNR60/CONBSS
£0.00 exc VAT	£107.42 exc VAT
£0.00 inc VAT	£128.90 inc VAT
800mm: LNR80/SBSS	800mm: LNR80/CONBSS
£0.00 exc VAT	£130.20 exc VAT
£0.00 inc VAT	£156.24 inc VAT

Tiled Insert (13mm)*	Tiled Insert (24mm)**
600mm: LNR60/T13	600mm: LNR60/T24
£43.40 exc VAT	£75.95 exc VAT
£52.08 inc VAT	£91.14 inc VAT
800mm: LNR80/T13	800mm: LNR80/T24
£52.08 exc VAT	£95.48 exc VAT
£62.50 inc VAT	£114.58 inc VAT

Echo	Morse
600mm: LNR60/ECHBSS	600mm: LNR60/MORBSS
£106.33 exc VAT	£128.03 exc VAT
£127.60 inc VAT	£153.64 inc VAT
800mm: LNR80/ECHBSS	800mm: LNR80/MORBSS
£128.03 exc VAT	£149.73 exc VAT
£153.64 inc VAT	£179.68 inc VAT

* 13mm or 24mm fixed height from the Aqua-Dec Linear 4 to the top of the tiling frame.
** 24mm fixed height from the Aqua-Dec Linear 4 to the top of the tiling frame.

Marrakesh
600mm: LNR60/MARRBSS
£132.37 exc VAT
£158.84 inc VAT
800mm: LNR80/MARRBSS
£162.75 exc VAT
£195.30 inc VAT



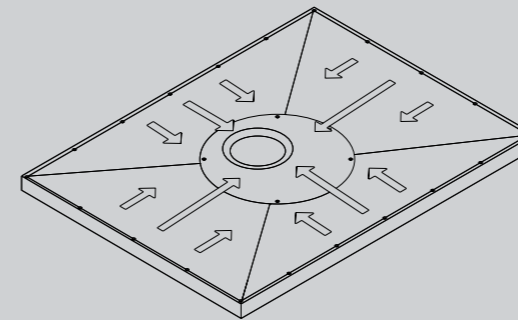
Technical guides are available to download from our website.

2 | SELECT YOUR LOOK & SIZE AQUA-DEC EASYFIT™

The pioneering Aqua-Dec EasyFit is supplied with a gravity, pumped or Slim+ waste. A range of Drain Top designs are also available.

SELECT YOUR AQUA-DEC EASYFIT SIZE

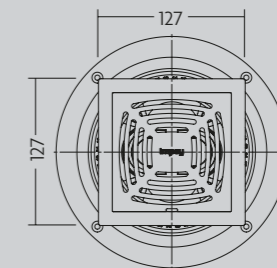
	800 x 800mm	900 x 900mm	1000 x 1000mm	1200 x 750mm
CHOOSE A DRAINAGE OPTION				
GRAVITY	ADE8080G/ H or V*	ADE9090G/ H or V*	ADE1010G/ H or V*	ADE1275G/ H or V*
PUMPED	ADE8080P/H	ADE9090P/H	ADE1010P/H	ADE1275P/H
SLIM+	ADE8080SL/H	ADE9090SL/H	ADE1010SL/H	ADE1275SL/H
	£481.10 exc VAT	£520.73 exc VAT	£560.34 exc VAT	£560.34 exc VAT
	£577.32 inc VAT	£624.88 inc VAT	£672.41 inc VAT	£672.41 inc VAT
	1200 x 900mm	1200 x 1200mm	1300 x 800mm	1400 x 900mm
CHOOSE A DRAINAGE OPTION				
GRAVITY	ADE1290G/ H or V*	ADE1212G/ H or V*	ADE1380G/ H or V*	ADE1490G/ H or V*
PUMPED	ADE1290P/H	ADE1212P/H	ADE1380P/H	ADE1490P/H
SLIM+	ADE1290SL/H	ADE1212SL/H	ADE1380SL/H	ADE1490SL/H
	£581.56 exc VAT	£654.48 exc VAT	£581.56 exc VAT	£601.03 exc VAT
	£697.87 inc VAT	£785.38 inc VAT	£697.87 inc VAT	£721.24 inc VAT
	1500 x 800mm	1500 x 1200mm	1700 x 750mm	1850 x 900mm
CHOOSE A DRAINAGE OPTION				
GRAVITY	ADE1580G/ H or V*	ADE1512G/ H or V*	ADE1775G/ H or V*	ADE18590G/ H or V*
PUMPED	ADE1580P/H	ADE1512P/H	ADE1775P/H	ADE18590P/H
SLIM+	ADE1580SL/H	ADE1512SL/H	ADE1775SL/H	ADE18590SL/H
	£601.03 exc VAT	£725.91 exc VAT	£725.91 exc VAT	£725.95 exc VAT
	£721.24 inc VAT	£871.09 inc VAT	£871.09 inc VAT	£871.14 inc VAT



Offering the most versatility and size options, the central drain plate of the Aqua-Dec EasyFit can rotate 360° to avoid all underfloor wetroom obstructions and can be trimmed anywhere up to the solid surround. This floor former can be used with a variety of drain types to suit all applications, and a range of Drain Tops to add individual style to every wetroom. The Aqua-Dec EasyFit is 22mm thick and can be installed on timber or concrete floors, providing flow rates of up to 36l/min.



Complete the system with WaterGuard™ to receive our Lifetime Watertight Guarantee. See page 88



DRAIN TOPS

Slot	Stamp	Grid	Identity	Fibre
QUAD/01BSS	QUAD/05BSS	QUAD/03BSS	QUAD/04BSS	QUAD/02BSS
£0 exc VAT	£42.77 exc VAT	£42.77 exc VAT	£42.77 exc VAT	£42.77 exc VAT
£0 inc VAT	£51.32 inc VAT	£51.32 inc VAT	£51.32 inc VAT	£51.32 inc VAT

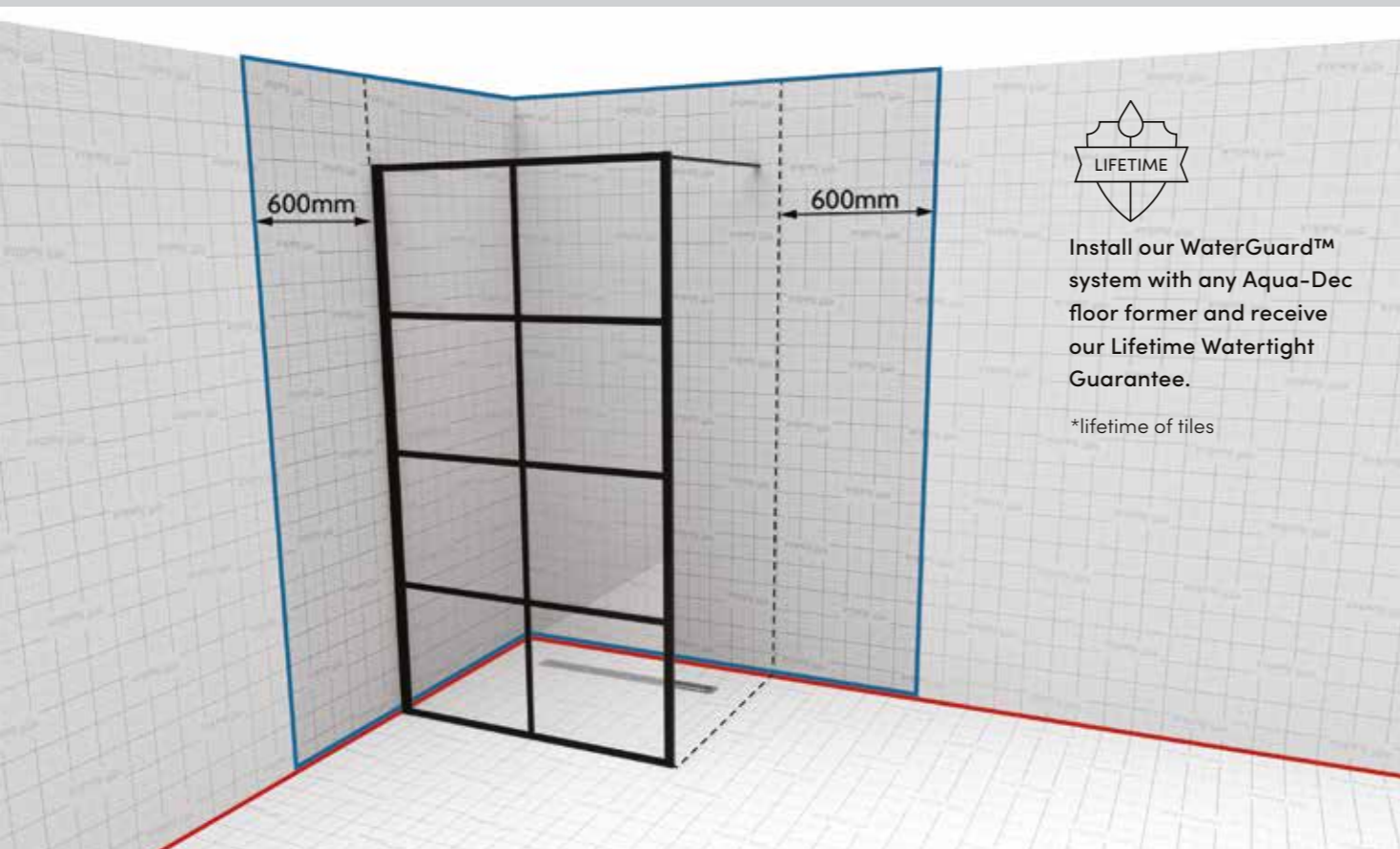
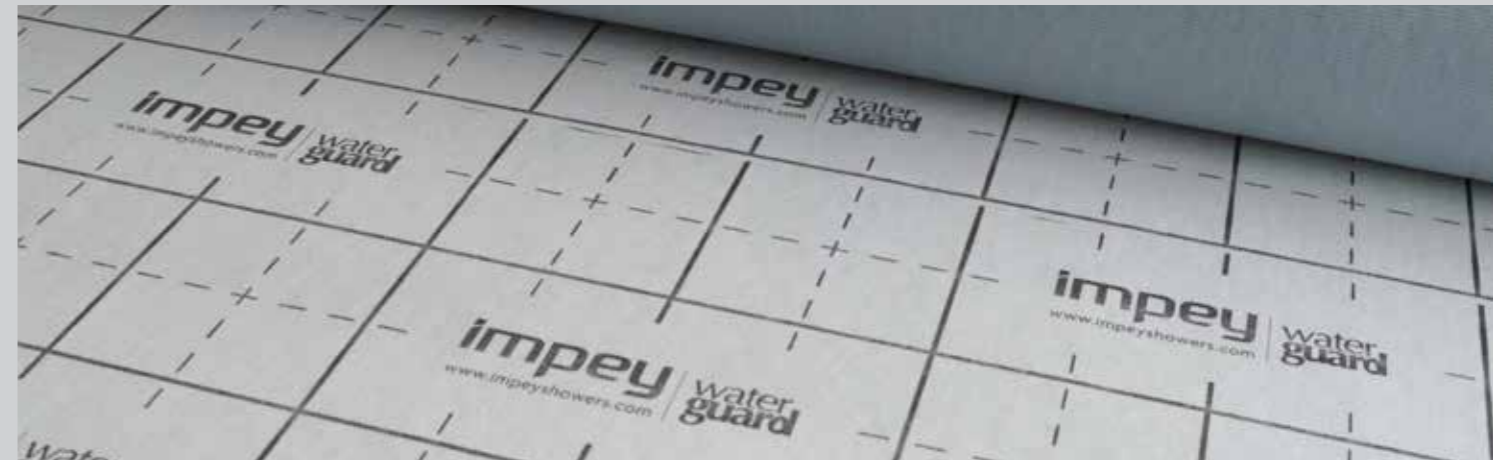


Technical guides are available to download from our website.

3 | SELECT YOUR WATERGUARD™ COVERAGE

WaterGuard is a 1mm thick, flexible waterproofing membrane. The complete wetroom sealing solution - not just for floors but also to walls. When correctly installed across the entirety of a wetroom floor, it provides an impenetrable barrier against leaks, guaranteed for life*.

This unique system provides the ultimate watertight wetroom with its market-leading membrane design. WaterGuard™ is fully compatible with all Impey products and is fully compatible to use with Aqua-Mat underfloor heating. Adding WaterGuard to your wetroom gives you the peace of mind with Impey's Lifetime Watertight Guarantee.



Mandatory requirement. Red zone

The entire wetroom floor must be tanked with WaterGuard to qualify for our lifetime guarantee.

This will prevent any water ingress into the floor structure and also provide decoupling properties to the tiled surface.

Recommended. Red and Blue zone

The entire floor and walls immediately inside the wet area and extending 600mm beyond should be tanked to stop any water ingress into walls.

Highly recommended. Complete coverage

WaterGuard tanking throughout the entire wetroom (floors and walls) will create a seamless impenetrable wetroom, providing heat and sound insulation and decoupling throughout.

WATERGUARD KIT OPTIONS

Product	Contents	Product Code	exc VAT	inc VAT
5m ² Floor Kit	5m ² of Impey WaterGuard membrane, 500ml BAL primer, 15m jointing tape, 5x internal corners, 1x external corner, Butyl sealant	WG5.	£318.88	£382.66
10m ² Floor Kit	10m ² of Impey WaterGuard membrane, 500ml BAL primer, 20m jointing tape, 5x internal corners, 1x external corner, Butyl sealant	WG10.	£430.70	£516.84
10m ² Wall Kit	10m ² of Impey WaterGuard wall membrane, 500ml BAL primer, 10m jointing tape, Butyl sealant	WG10W.	£399.87	£479.84
15m ² Wall Floor Kit	5m ² of Impey WaterGuard floor membrane, 10m ² Impey WaterGuard wall membrane, 15m jointing floor tape, 10m jointing wall tape, 5x internal corners, 1x external corner, 2x Butyl sealant, 2x 500ml BAL primer	WG15WF	£637.14	£764.57
20m ² Wall Floor Kit	10m ² of Impey WaterGuard floor membrane, 10m ² Impey WaterGuard wall membrane, 20m jointing floor tape, 10m jointing wall tape, 5x internal corners, 1x external corner, 2x Butyl sealant, 2x 500ml BAL primer	WG20WF	£732.19	£878.63

What are the benefits of adding WaterGuard?

Purchase WaterGuard with any Impey Aqua-Dec and receive our Lifetime Watertight Guarantee.

Only 1mm thick but offers the superior de-coupling properties of 10mm.

Works with heavy wall tiles. Tried and tested to work with wall tiles and build up of up to 30kg/m².

Provides thermal insulation. Fully tested and compatible with Impey Aqua-Mat underfloor heating.

ADDITIONAL COMPONENTS

Description	Product Code	exc VAT	inc VAT
10m Jointing Tape	WGJT10	£65.90	£79.08
Internal Corner	WGIPC	£12.14	£14.57
External Corner	WGEPC	£12.14	£14.57
Butyl Joint Sealant	WGJS	£10.69	£12.83
500ml BAL Primer	WGPR	£25.46	£30.55

Visit impeyshowers.com for more information or call our Technical team on 01460 256080 for more information and advice

4 | PERSONALISE YOUR WETROOM AQUA-MAT™ UNDERFLOOR HEATING




Impey's Aqua-Mat underfloor heating is the finishing touch to make the most of your wetroom. Aqua-Mat offers unrivalled warmth, exceptionally fast drying times, and complete comfort underfoot. Aqua-Mat is 100% compatible with all Impey wetroom products.

Manufactured to the most stringent of European standards with highly efficient running costs. Purchase with your preferred thermostat.



12 year guarantee

 Call our Technical team on 01460 256080 for more information

SELECT THE PRODUCT & SIZE TO SUIT YOUR APPLICATION

Aqua-Mat 100W - Suitable for wooden & concrete floors				
Area to be warmed m ²	Heating Load Watts	Product Code	exc VAT	inc VAT
1	100	AM1.0/V2	£81.66	£97.99
1.5	150	AM1.5/V2	£93.37	£112.04
2	200	AM2.0/V2	£108.63	£130.36
2.5	250	AM2.5/V2	£127.94	£153.53
3	300	AM3.0/V2	£143.19	£171.83
3.5	350	AM3.5/V2	£160.11	£192.13
4	400	AM4.0/V2	£176.25	£211.50
5	500	AM5.0/V2	£199.50	£239.40
6	600	AM6.0/V2	£227.99	£273.59
7	700	AM7.0/V2	£254.96	£305.95
8	800	AM8.0/V2	£278.91	£334.69
9	900	AM9.0/V2	£293.31	£351.97
10	1000	AM10.0/V2	£303.11	£363.73
12	1200	AM12.0/V2	£376.58	£451.90

Aqua-Mat 150W - Suitable for concrete floors				
Area to be warmed m ²	Heating Load Watts	Product Code	exc VAT	inc VAT
1	150	AM1.0/150V2	£90.93	£109.12
1.5	225	AM1.5/150V2	£105.63	£126.76
2	300	AM2.0/150V2	£128.60	£154.32
2.5	375	AM2.5/150V2	£165.25	£198.30
3	450	AM3.0/150V2	£183.71	£220.45
3.5	525	AM3.5/150V2	£193.81	£232.57
4	600	AM4.0/150V2	£202.09	£242.51
5	750	AM5.0/150V2	£248.01	£297.61
6	900	AM6.0/150V2	£284.76	£341.71
7	1050	AM7.0/150V2	£321.48	£385.78
8	1200	AM8.0/150V2	£358.24	£429.89
9	1350	AM9.0/150V2	£394.98	£473.98
10	1500	AM10.0/150V2	£431.72	£518.06
12	1800	AM12.0/150V2	£473.06	£567.67

SELECT YOUR PREFERENCE OF THERMOSTAT

AMBER PRO



- Digital thermostat
- Mirrored Touch Screen front
- 7 day, 6 period programmable
- Both floor and air sensor
- Utilises energy saving functions including sensor offset, holiday and frost protection mode
- 2 year warranty

Product Code	exc VAT	inc VAT
AMPRO	£109.14	£130.97

DEVI SMART



- WIFI Connectivity
- Simple and intuitive touch screen design
- Remote controllable using the DEVISmart App
- Control your underfloor heating anywhere, at any time
- Able to control an unlimited number of locations
- Can be paired with up to 10 mobile devices
- Variety of Smart features including frost protection, weekly schedule, holiday mode and economy mode
- Smart app features allow you to schedule your requirements, and adapt to climatic conditions, reducing your energy costs
- 5 year warranty

Product Code	Code	exc VAT	inc VAT
DEVireg Smart Black	DVSBBLACK	£211.66	£253.99
DEVireg Smart White	DVSWHITE	£211.66	£253.99

4 | PERSONALISE YOUR WETROOM SOHO® WETROOM SCREENS



The Soho wetroom screen is inspired by urban industrial partitioning, the high-quality aluminium-framed screen is powder coated in jet black boasting 8mm safety glass; exposed frames on the outside of the unit, and visible screws to enhance the screen's authentic appeal.

The Hinged and Sliding door can be installed as a completely level-access solution. Both doors have frames on the outside and are flush on the inside for easy cleaning.

The Sliding door has soft open and close, and quick release technology for easy cleaning.

- Height: 2100mm to top of screens
- 8mm toughened safety glass tested to EN12150 and EN12600 standards
- Matte black finish
- Hidden hinges and seals
- 10 year guarantee
- CE certified
- For wetroom floors only. Cannot be installed on a shower tray

Example applications and the required product types (right hand configurations shown)

	Hinged	Sliding	Walk-in / Walk-through
Alcove 3 walls	 • Hinged door	 • Hinged door with in-line panel	 • Sliding door
Corner 2 walls	 • Hinged door • Side panel	 • Hinged door with in-line panel • Side panel	 • Sliding door • Side panel • Additional profile*
1 wall	N/A	N/A	 • Horizontal panel • Additional bracing bar
		 • Vertical panel • Additional bracing bar	

Product Type	Size (mm)	Handing	Product Code	exc VAT	inc VAT
Hinged door	800	Left	AH24SC01-80 LEFT	£885.70	£1062.84
	800	Right	AH24SC01-80 RIGHT	£885.70	£1062.84
	900	Left	AH24SC01-90 LEFT	£924.34	£1109.21
	900	Right	AH24SC01-90 RIGHT	£924.34	£1109.21
Hinged door with in-line panel	1200	Left	AH24SC01-120 LEFT	£1094.69	£1313.63
	1200	Right	AH24SC01-120 RIGHT	£1094.69	£1313.63
	1400	Left	AH24SC01-140 LEFT	£1150.66	£1380.79
	1400	Right	AH24SC01-140 RIGHT	£1150.66	£1380.79
Sliding door	1200	Left	AH24SL01-120 LEFT	£932.93	£1119.52
	1200	Right	AH24SL01-120 RIGHT	£932.93	£1119.52
	1400	Left	AH24SL01-140 LEFT	£1036.05	£1243.26
	1400	Right	AH24SL01-140 RIGHT	£1036.05	£1243.26
Side panel	800	N/A	AH24SP02-80	£602.48	£722.98
	900	N/A	AH24SP02-90	£630.42	£756.50
Walk-in/walk-through horizontal panel	900	N/A	AW24SC01-NI-90	£717.78	£861.34
	1000	N/A	AW24SC01-NI-100	£739.61	£887.53
Walk-in/walk-through vertical panel	1200	N/A	AW24SC01-NI-120	£832.48	£998.98
	1400	N/A	AW24SC01-NI-140	£898.70	£1078.44
Additional accessories	Additional bracing bar	N/A	AH24-BAR100	£81.51	£97.81
	Angled bracing bar kit	N/A	AH24-BA01-KIT	£46.34	£55.61
	Ceiling bracing bar	N/A	AH24-BC01-KIT	£81.51	£97.81
	Additional profile*	N/A	AH24-SP-KIT	£25.42	£ 30.50

*Profile required for sliding door when installed with a side panel. 1 profile required per side panel.

4 | PERSONALISE YOUR WETROOM SHOWER WASTE PUMPS



Instant Match Premium Pump

With market-leading products Impey and Whale have made level-access showering a reality for thousands of customers for nearly two decades. Partnering together, Impey and Whale make the installation of a wetroom possible in places where gravity drainage is not an option.

Whether down in a basement, or up in a loft conversion the options for a wetroom installation are more attainable now than ever before. Whale luxury wetroom pumps are fully compatible with the Impey Aqua-Dec EasyFit™ wetroom system and pumped drain.

Features & benefits

- Easily concealed within a vanity unit, or cupboard
- Wall mounted up to 2m away from the shower drain
- Fully automated with shower control
- Quiet operation- clever calibration to minimise suction noise at drain
- Removes shower run off with automatic purge cycle after 15 minutes
- Pumps shampoo, gel and hair without blocking
- 5 year extended warranty*
- BBA Approved (Dry Deck 20)

*T&Cs apply

If you are considering a pumped waste solution for your luxury wetroom project, please contact our technical department for further information on the Whale Instant Match Premium and Dry Deck 20 shower waste pumps. For all queries and information on spare parts please contact 01460 256080

What is a pump?

A shower waste pump is used to discharge showering waste water, in areas you could not traditionally install a wetroom, where a gravity fall to drains cannot be achieved.

The Whale pumps listed on these pages connect directly to the hot and cold shower supplies, and will turn on and off automatically with the shower.



Dry Deck 20 Pump

SELECT YOUR SHOWER WASTE PUMP

Pump Model	Flow Rate	Universal (non-handed inlet)	Speed Set-up	Adjustable Off Delay	Optional Overrun Switch	Integral Valves (prevent drain odours)	IP45 Compliant
Instant Match Premium	12 ltrs per min	✓	Automatic	✓	✓	✓	✓
Dry Deck 20	20 ltrs per min	✓	Manual	✓	✓	✓	✓

INSTANT MATCH PREMIUM

The choice of shower waste pump for showers with flow rates not exceeding, or regulated up to 12 l/min. Whale's quietest shower drainage pump to date built on 20 years of experience with over 300,000 kits installed throughout the UK.

Description	Product Code	exc VAT	inc VAT
Instant Match Premium	SWP/IMPR	£793.44	£952.13

DRY DECK 20

When you want a shower waste pump that can handle a bit more volume, the Dry Deck 20 is suitable for showers with a flow rate of up to 20 l/min. Designed to minimise drainage suction noise by precisely matching the pump flow rate to the shower flow rate.

Description	Product Code	exc VAT	inc VAT
Dry Deck 20	DDW/20	£1040.92	£1249.10

4 | PERSONALISE YOUR WETROOM ACCESSORIES



geesa.



Roomset	Description	Product code	Price	Page
Hygge haven	Wynk Towel Ring	914504-02	£POA	44

Roomset	Description	Product code	Price	Page
Urban chic	Nemox Black Hook	916513-09	£POA	28



Roomset	Description	Product code	Price	Page
Eclectic loft	Frame Shelf with Towel Holder and Shower Basket	918854-02-630	£POA	62

Functional simplicity		Rustic charm		
Comfort & Safety Shower Riser Rail	Comfort & Safety Shower Seat White	Hotel Towel Shelf 60cm	Hotel Hook	Tone Bottle/Sponge Holder
915825-62-R	915819-02	915353	912802	917314-02-30
£POA	£POA	£POA	£POA	£POA
Page 34	Page 34	Page 48	Page 48	Page 48

Utilitarian magic				
Frame Corner Shelf White	AIM Single Hook	AIM Shelf 60cm	Hotel Foot Rest	
918803-02	918413-02	918401-02	915551	
£POA	£POA	£POA	£POA	
Page 40	Page 40	Page 40	Page 40	

Minimalist beauty				
Nemox Black Soap Dispenser	Nemox Black Towel Ring	Nemox Black Soap Holder	Nemox Black Grab Rail 30cm	Nemox Black Tumbler Holder
916516-06	916504-06	916503-06	916506-06	916502-06
£POA	£POA	£POA	£POA	£POA
Page 56	Page 56	Page 56	Page 56	Page 56



Roomset	Description	Product code	Price	Page
Luxe living	Nemox Gold Towel Rail 60cm	916507-07-60	£POA	52
Luxe living	Nemox Gold Hook	916513-07	£POA	52

5 IMPEY INFORMATION

Televised Transformations	100
The Coram Group	102
Contact us	103



TELEVISED TRANSFORMATIONS



Showcasing some of the wetrooms featured across various home restoration TV shows.

“

I have had the pleasure of working with Impey over many years. Specifying Impey’s technically advanced yet stylish products has helped me design luxurious shower-rooms and bathrooms that not only look great but stand the test of time.

Clients and contractors have praised Impey’s products; they were particularly impressed by the quality and ease of install.

Dealing with Impey has proved a pleasant, straight-forward experience. Their technical team has been consistently helpful throughout the design process right through to the install.

Edwina Boase
Interior Designer - Stylist



None of the products, services or locations included in the programme are endorsed personally or professionally by George Clarke, Amazing Productions or Channel 4. All product selection is made by the relevant home owners based on their professional/family requirements.

For more inspiration follow @impeyshowers



THE CORAM GROUP

C O R A M **The Coram International bathroom group**

A Dutch family owned business with over 500 employees. Offices in the Netherlands, Belgium, United Kingdom, Poland & Norway. Exporting to more than 70 countries worldwide.

OTHER CORAM GROUP BRANDS INCLUDE:



Coram Showers: A leading brand of shower enclosures, bath screens and shower trays with over 70 years of operation in the UK with very strong presence in plumbers merchant and bathroom retail sectors. Coram enclosures are designed to meet the highest aesthetic and functional standards expected whilst maintaining the reputation as a stylish and hassle-free range to install and maintain. Style with Standards.



Geesa: A world-class bathroom accessory brand since 1885. Geesa products have been installed in over 1100 hotels and cruise ships worldwide and hotel chains such as the Holiday Inn, Intercontinental and Radisson Blu. Ships such as 'Oasis of the Seas' and the 'Celebrity Solstice', each with 4000 cabins on board and thus the largest cruise ships in the world, have been furnished entirely with Geesa accessories.



Sealskin: Founded by Gerrit van Loon over 250 years ago. Sealskin started as an international producer of leather products. Over time, the company expanded its product range to include shower curtains, intended to dress the bathroom. Since 1950, shower enclosures have been added to the range, which are market-leading for their thoughtful design, smart functionality and eye for detail.

The company has been part of the Coram group since 1986 and dominates the showering market across the Benelux region.



Tiger: Founded in 1950, Tiger specialised in a manufacturing a wide range of plastic products for different applications. From bicycle handles to soap dishes. Tiger quickly became very successful in the Netherlands and in 1957 a start was made on exploring the international market. The Tiger brand grew quickly into international playing field with a wide range of bathroom accessories. The brand is recognised for it's design and innovation.

CONTACT US



Impey

Conquest House, Cad Road, Ilton, Somerset TA19 9EA

We have a dedicated Customer Services and Technical team who are on hand to offer a personalised solution to any queries regarding the Impey product range or installations.

Our opening hours are: 8:30am to 5pm Monday - Friday

Tel: 01460 256080

General enquiries or sales: salesorders@impeyshowers.com

Technical Support: technical.support@impeyshowers.com

Website: www.impeyshowers.com

MEMBERSHIPS



The trade body for all manufacturing businesses supplying the UK bathroom market.



The Tile Association has over 1,000 members, consisting of tiling contractors, fixers, distributors, retailers and manufacturers. The aim is to achieve a competent, qualified workforce in the industry.



Virtual Worlds are the leaders in interactive 3D design and fully immersive 4D cinema software, offering the ability to design your future bathroom in a virtual space before you buy.

01460 256080
impeyshowers.com



@impeyshowers



Whilst every care has been taken to ensure that the information included in this document was accurate at the time of printing, we reserve the right to change product specifications at any time without prior notice. The photographs reproduced in this document publication are within the constraints of the printing process and are not to be used for matching purposes. All photographs are used for approximate representation only and may not show the actual products on offer. Errors and Omissions Excepted.

Full terms and conditions available at www.impeyshowers.com